



IMPORTANT INFORMATION

Read carefully the instructions in full before installation. To ensure correct function and safe operation of the product, it is important to follow these instructions carefully.

- **The kit must not be used until it has been fully installed using these instructions.**
- Isolate the main supply before carrying out any work.
- Ensure no forces act on the switch terminals after installation.
- There is a danger to life and risk of injury with electrically operated windows! The window motor stops by an electric limit stop or overload cut-off. The resulting forces are strong enough to crush body parts.
- Please attach the safety sticker **(D)** to be clearly visible on the frame of the roof window.
- Installation in rooms with high levels of humidity should be in accordance with relevant electrical regulations.
- Kit is for indoor use **only**.
- Please ensure that the occupants are aware that the window is operated using the wall switch.
- (*) Screws **(i3)** are included only for the wooden window - CP.
- **We recommend only a suitably qualified electrician should install and connect all the electrical devices.**



Function

- This window may be manually operated by releasing the pin latch **(C)** on the ventilation handle when the window is open or closed.
- In case of snow and / or ice, the operation of the window may be obscured.

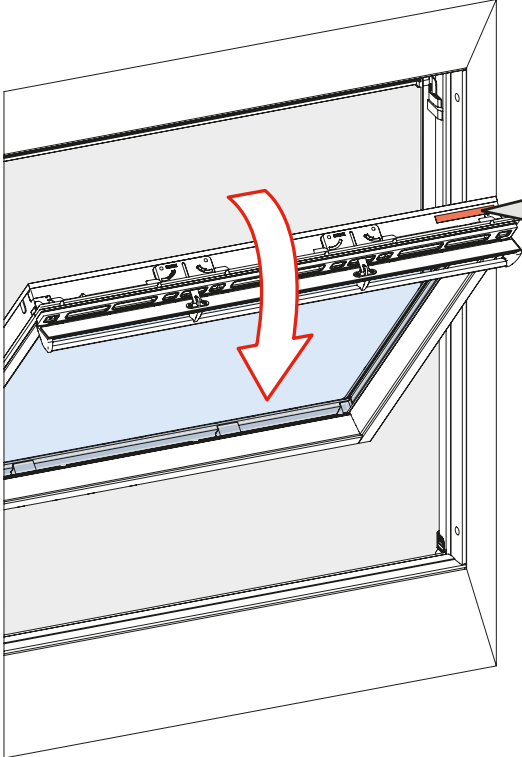
Product

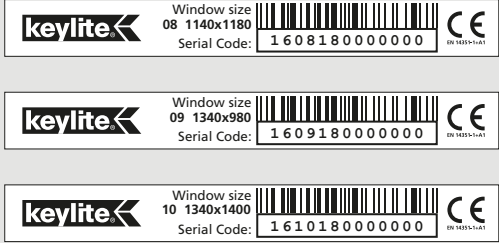
- Disposal of the electric product must be in conformation with national waste regulations.
- The packaging can be disposed as normal household waste.

Maintenance and service

- If installed and operated correctly in accordance with the instructions, the kit does not require any maintenance.
- It is recommended that KEYLITE service engineers carry out any repair work to the window or Keylite electric Kit.

!

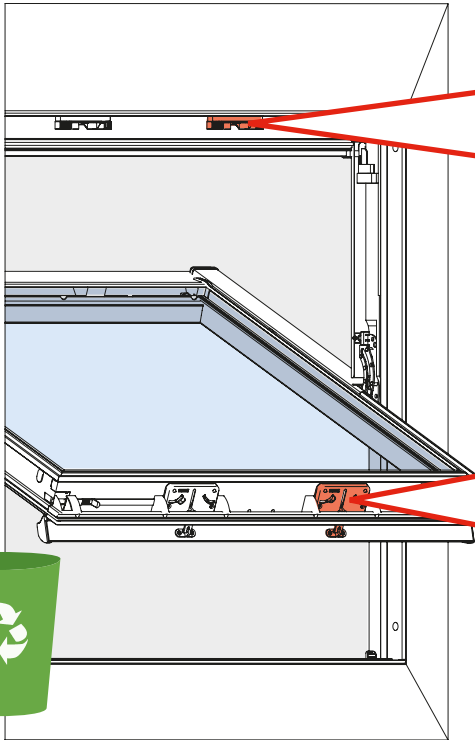



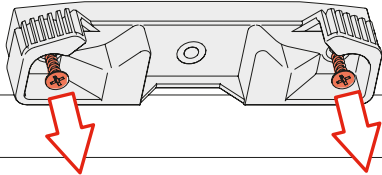


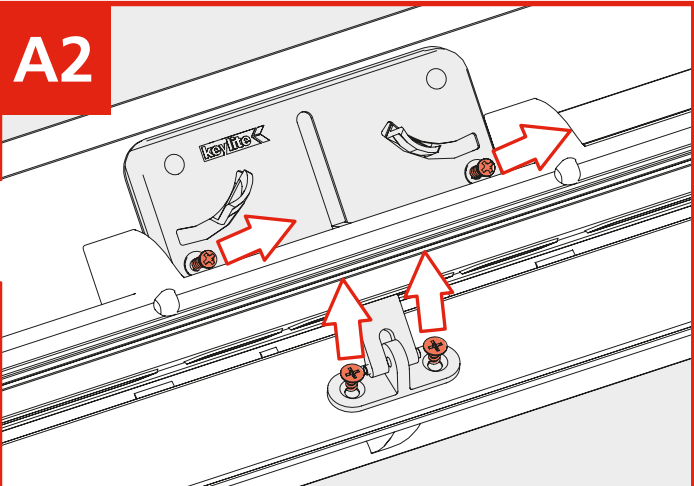
Steps **A1** & **A2** for window width 1140 & 1340 mm **only**

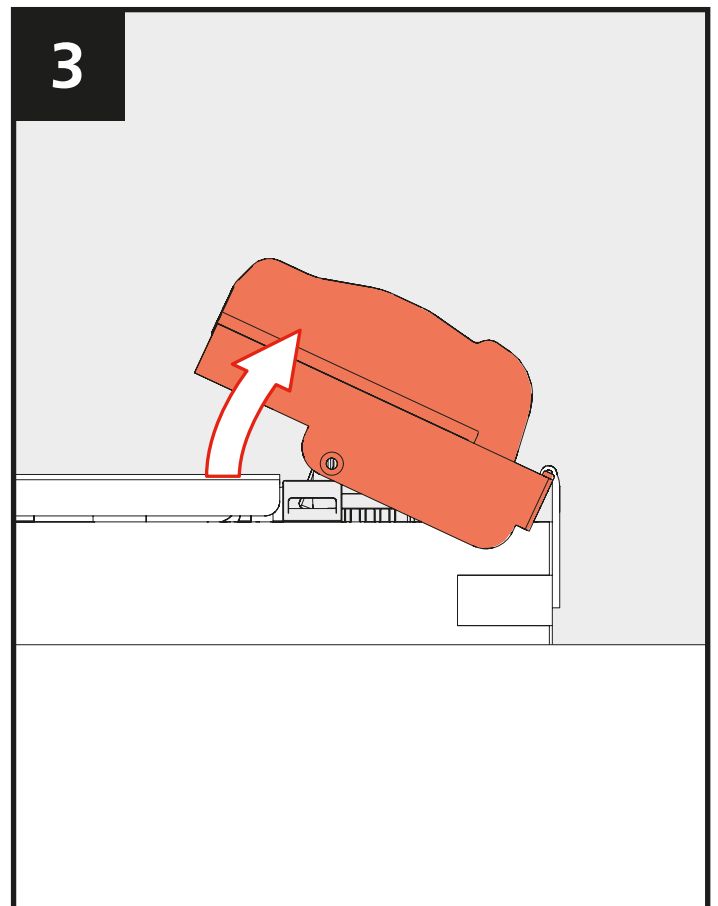
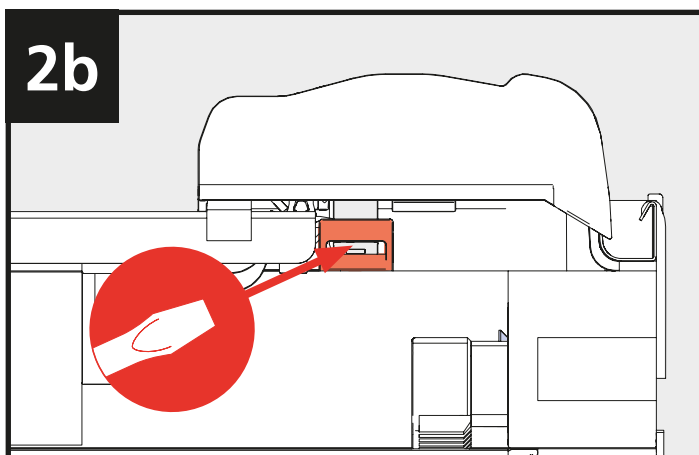
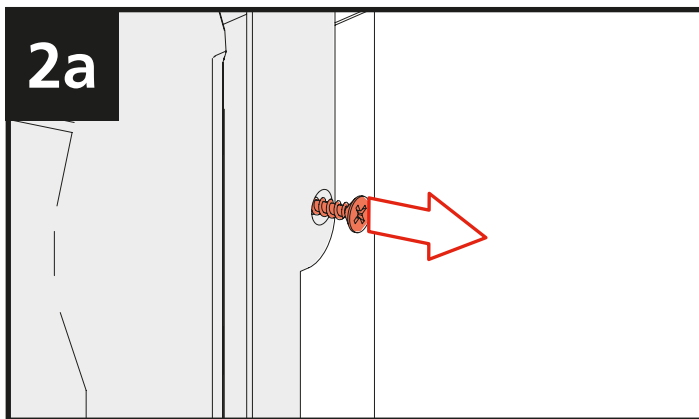
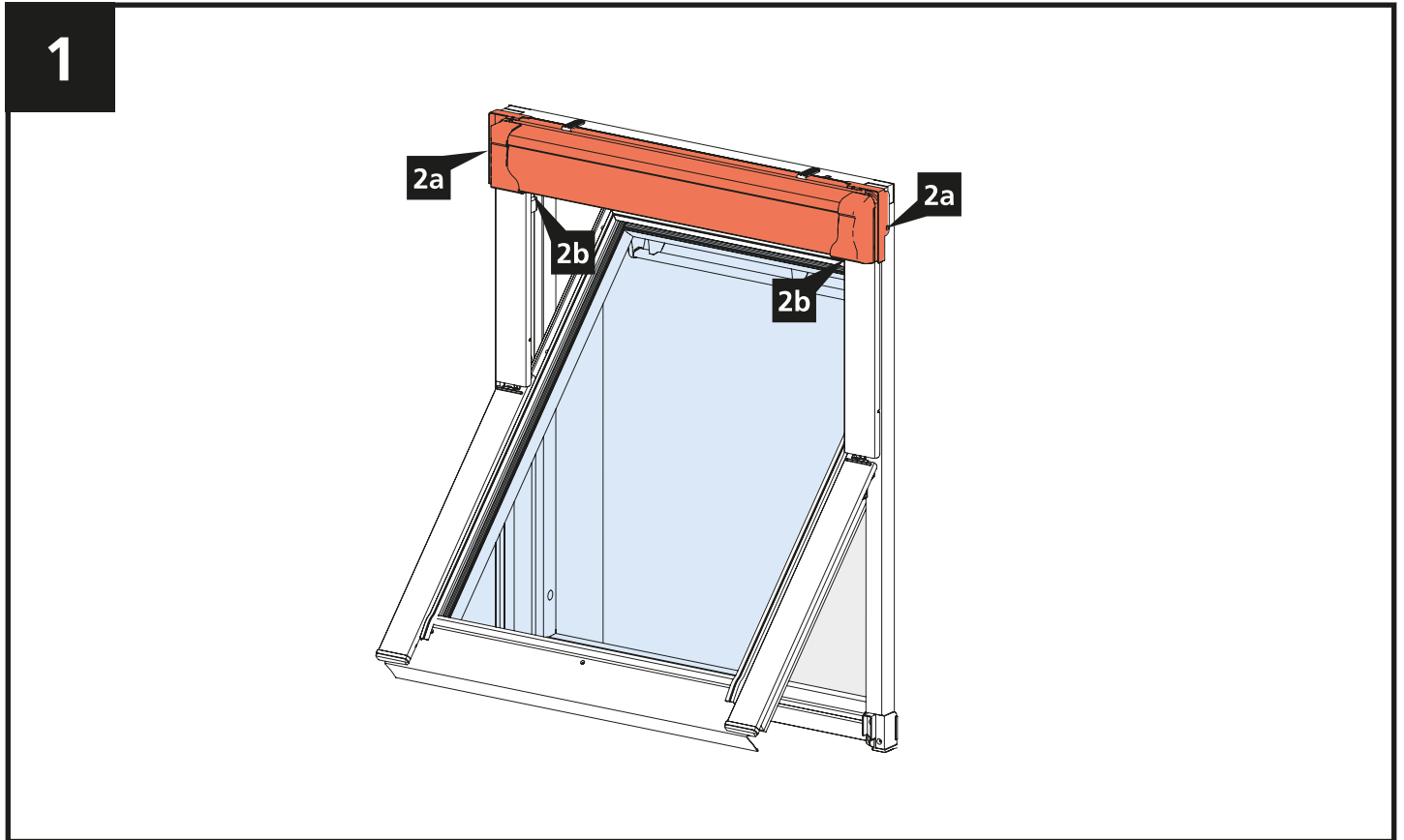
Window sizes:
Standard: **08, 09, 10**

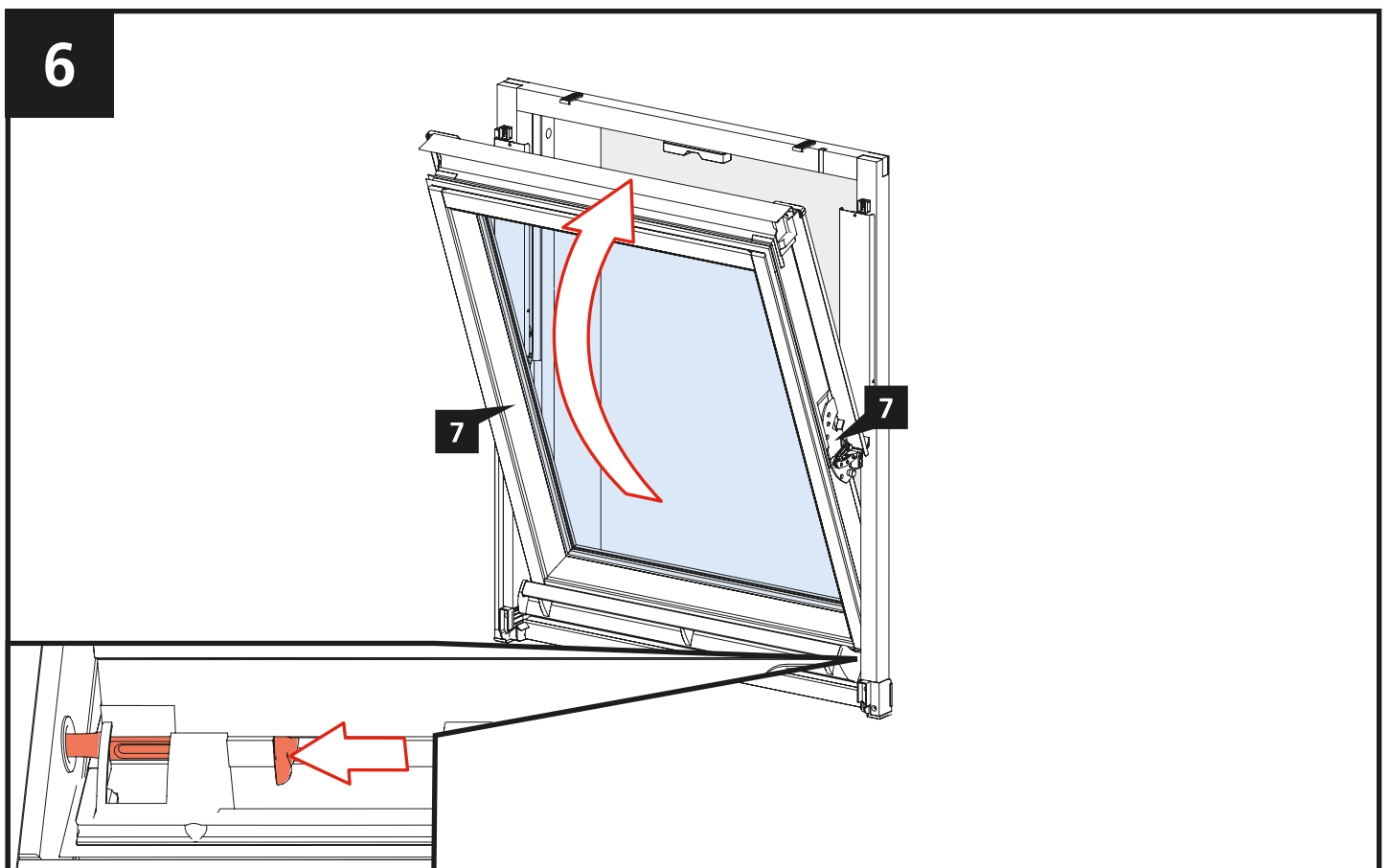
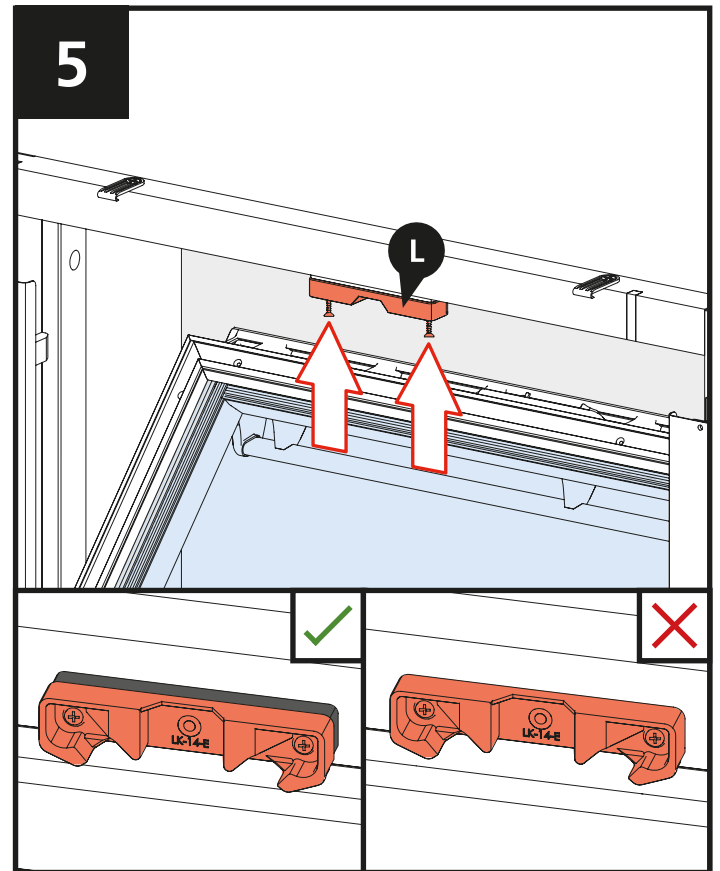
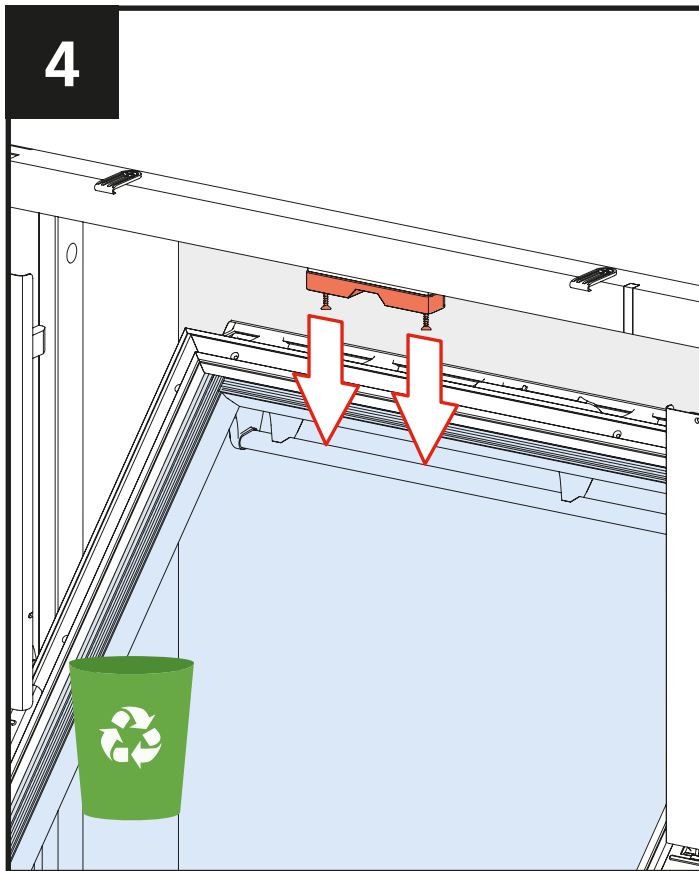
Non-standard:
08A, 08B, 08F, 08G, 09A, 09C, 09G

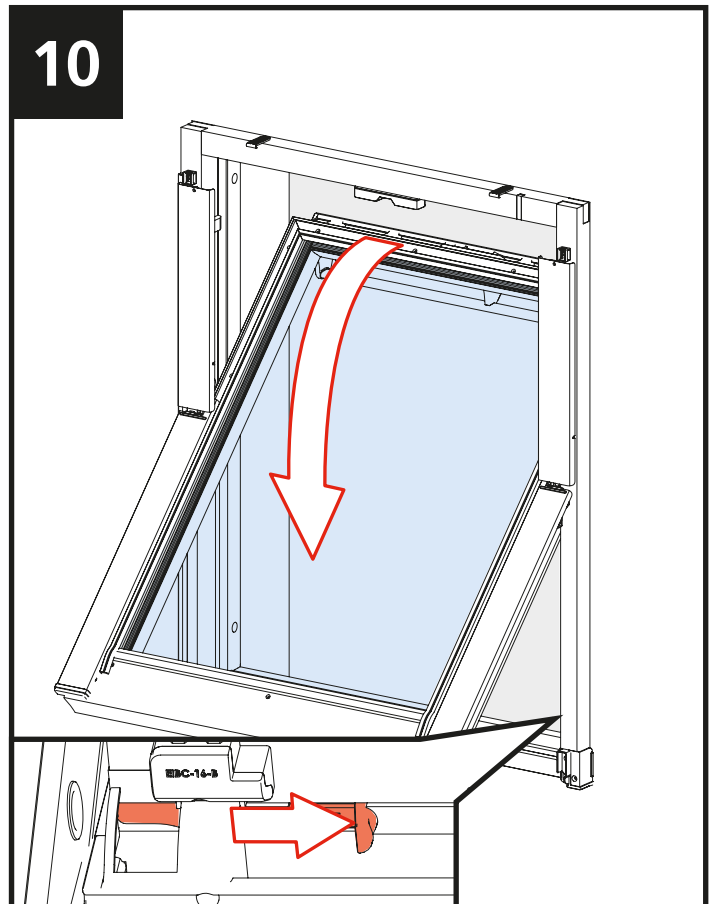
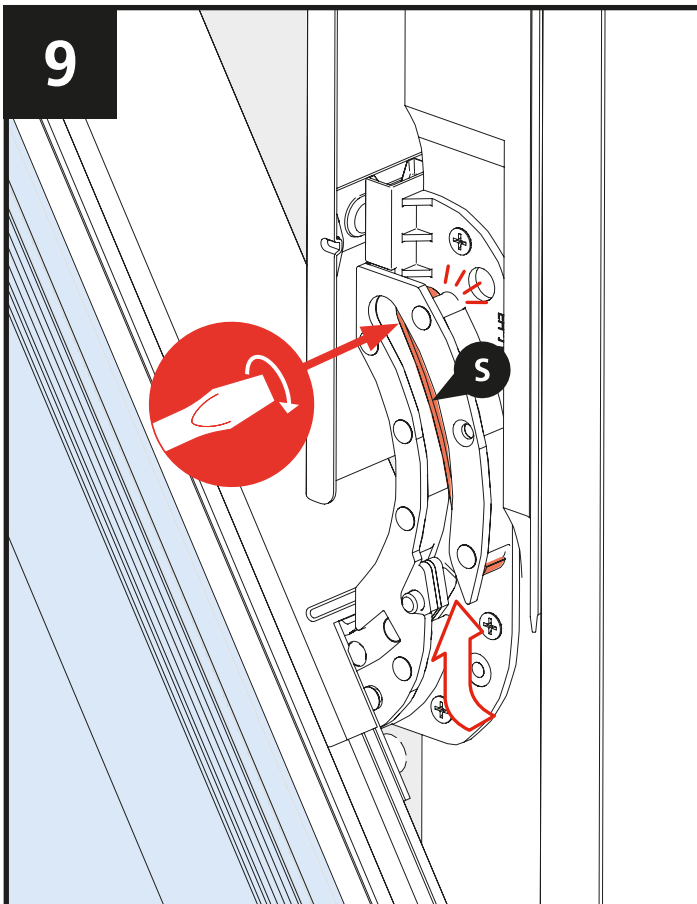
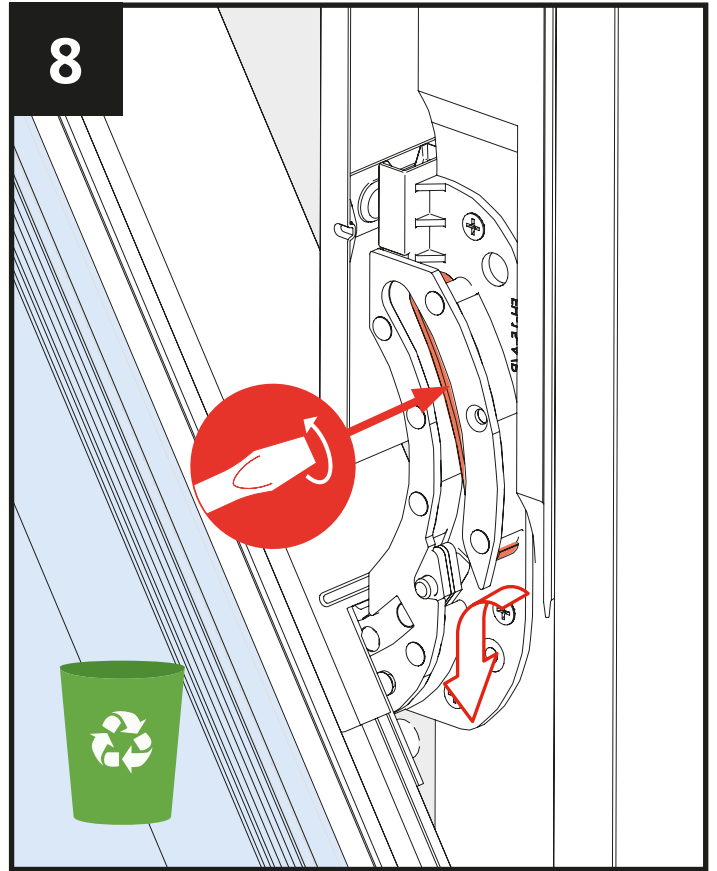
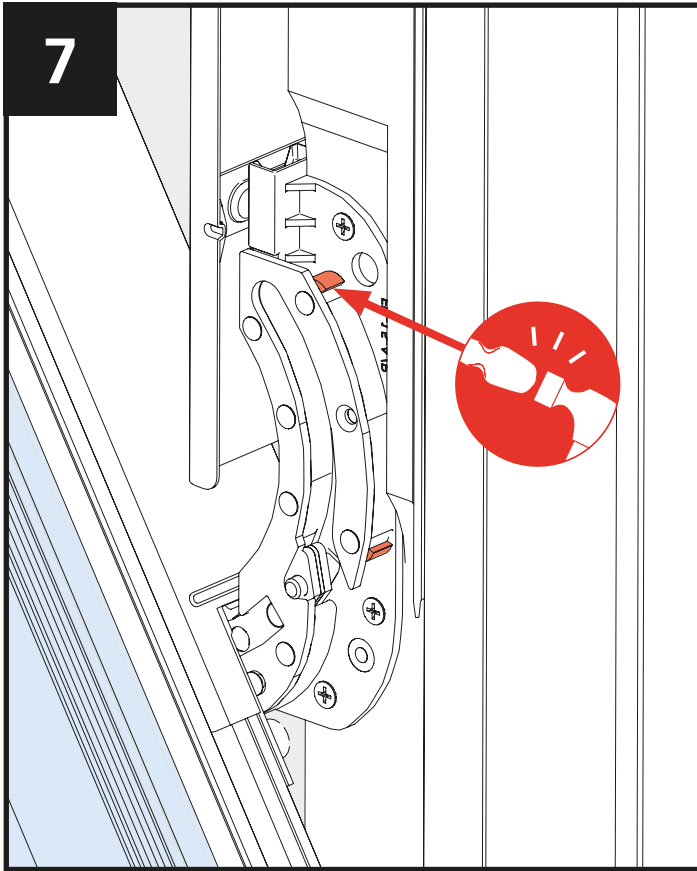



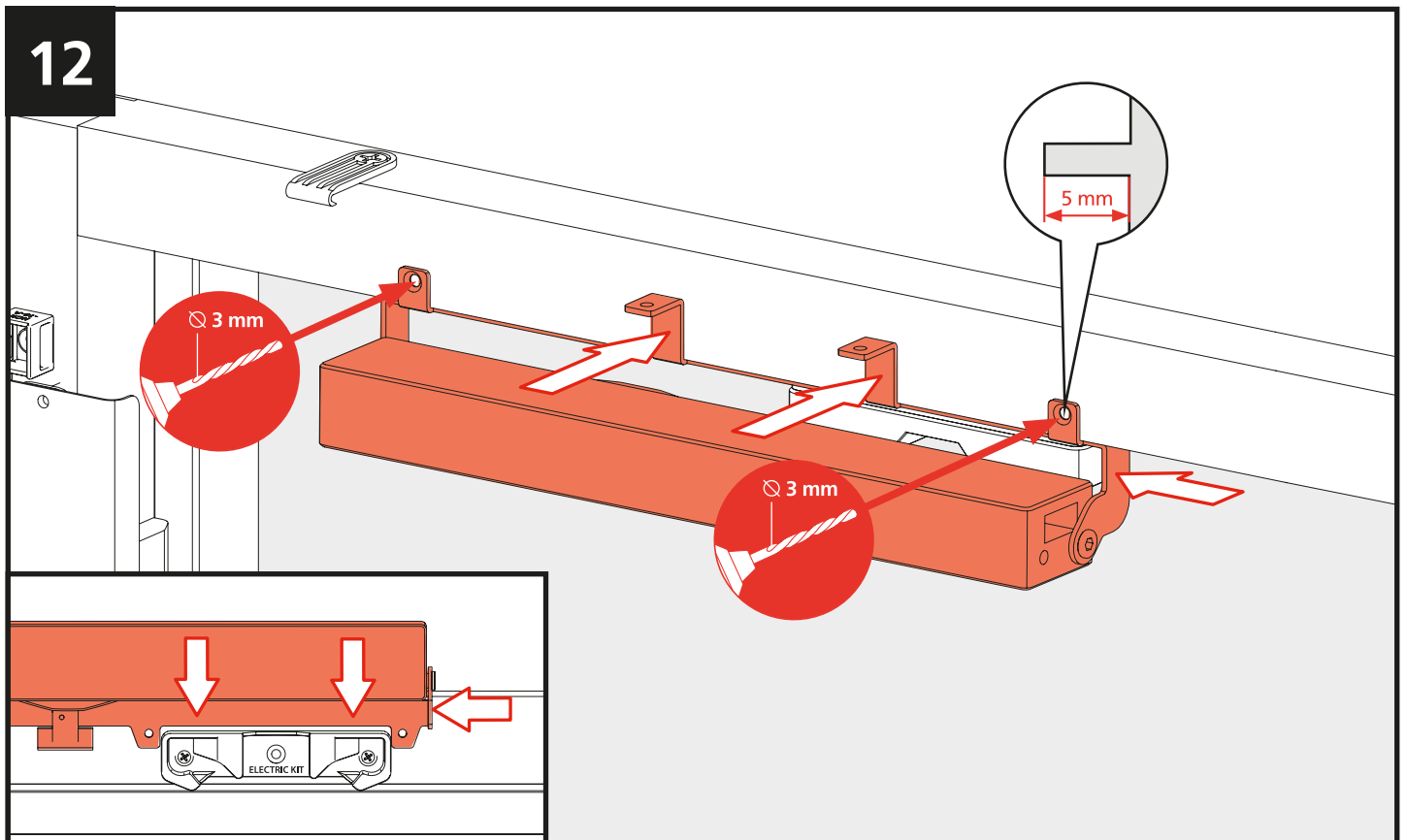
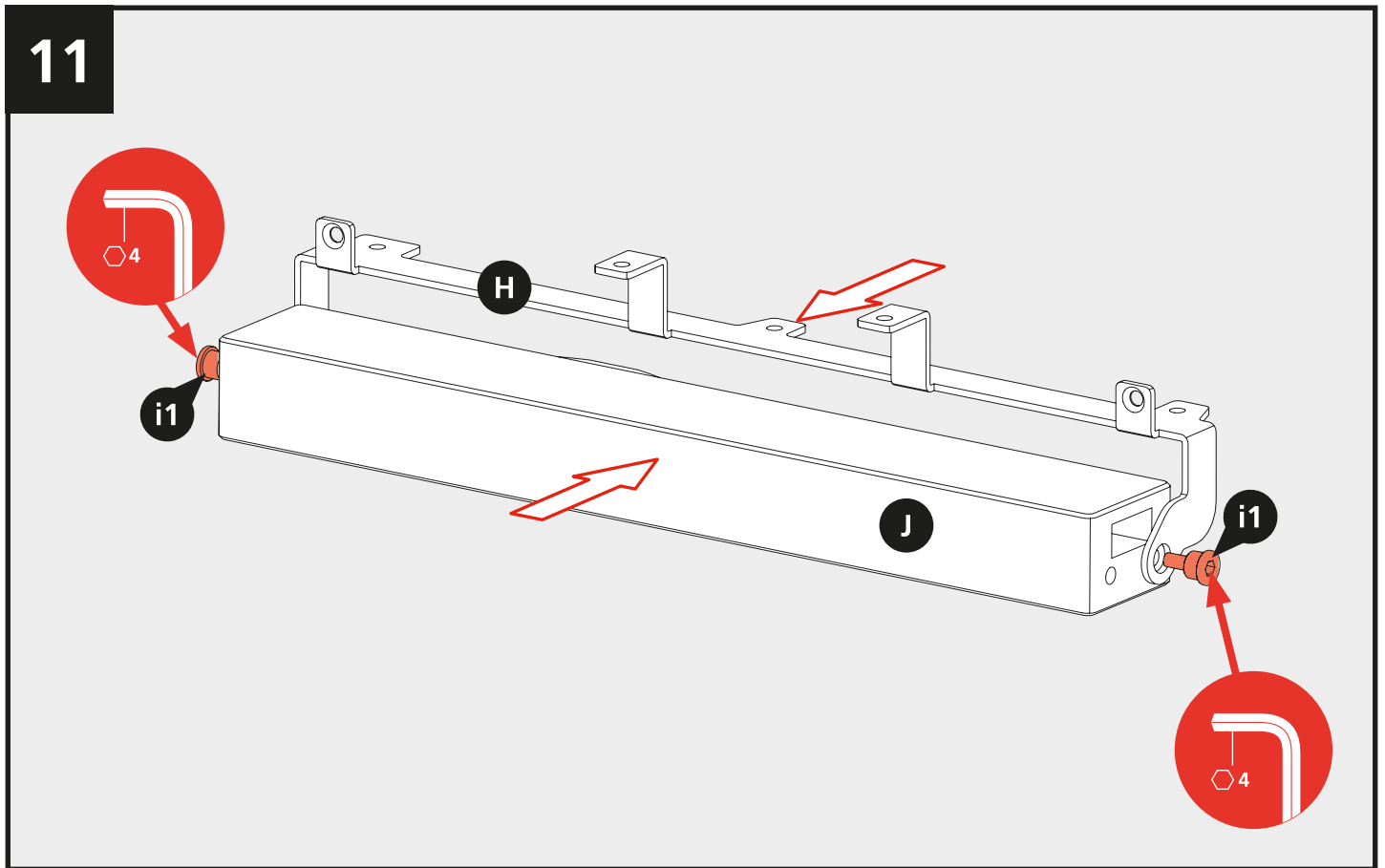
A1


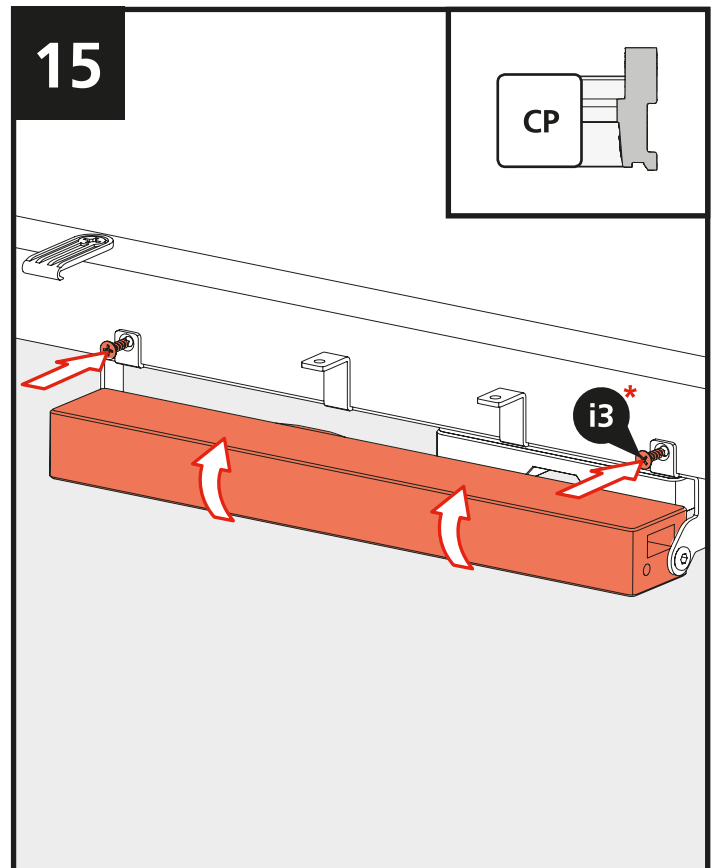
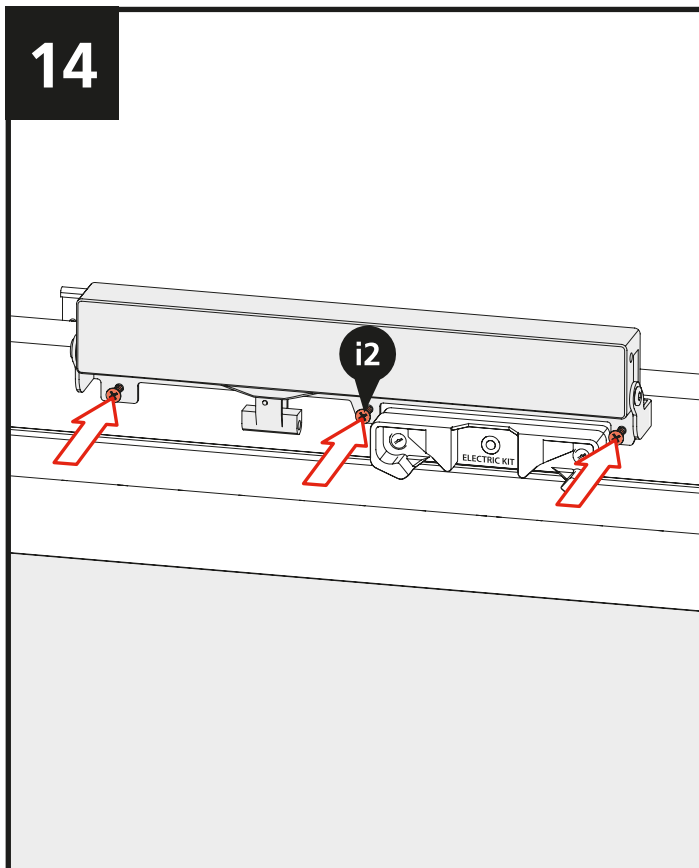
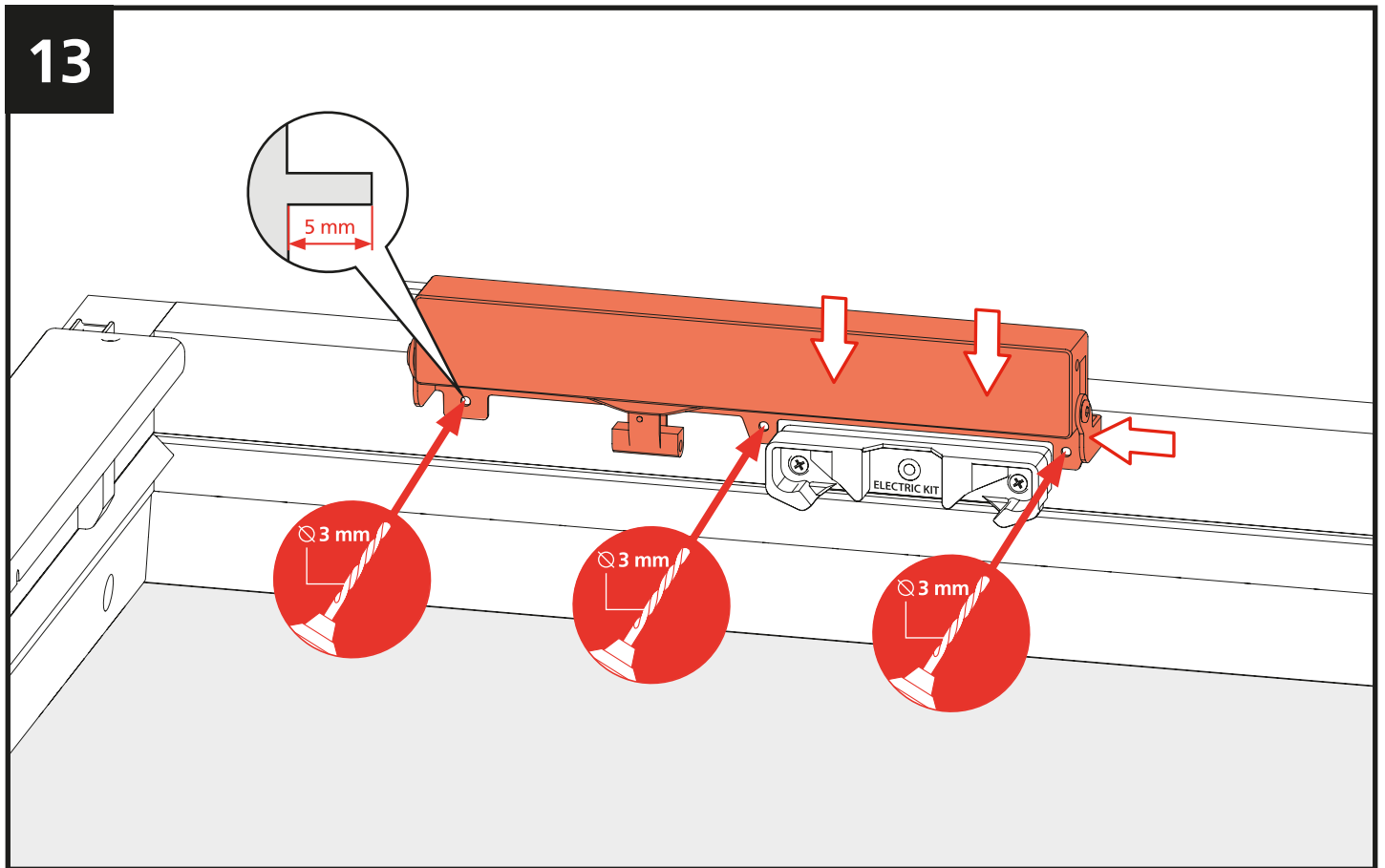
A2


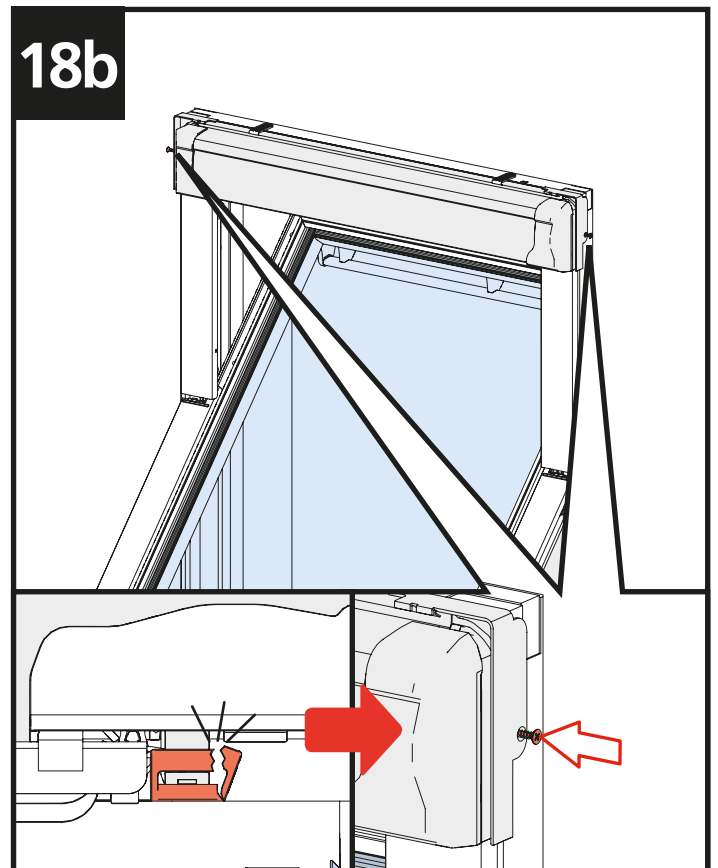
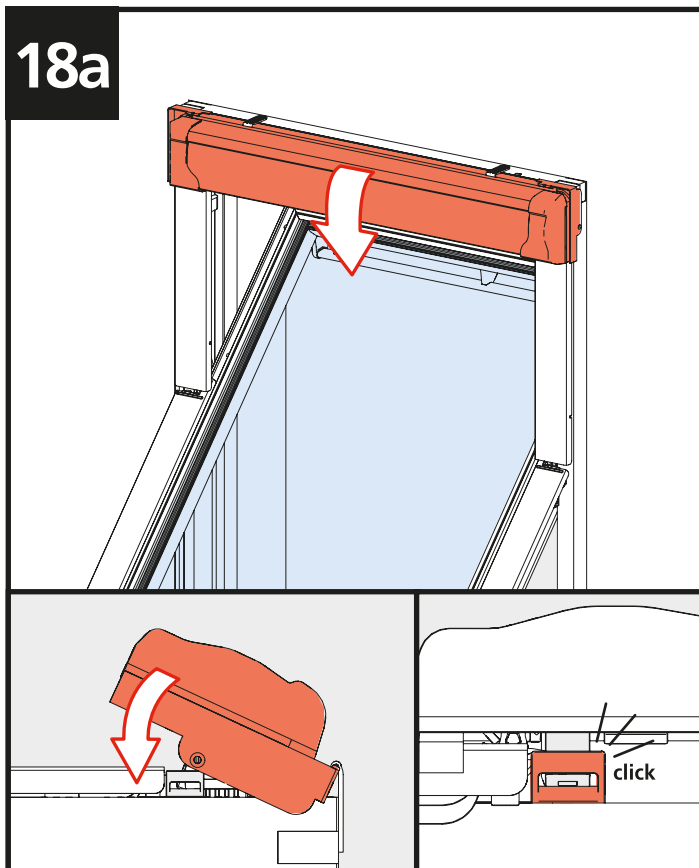
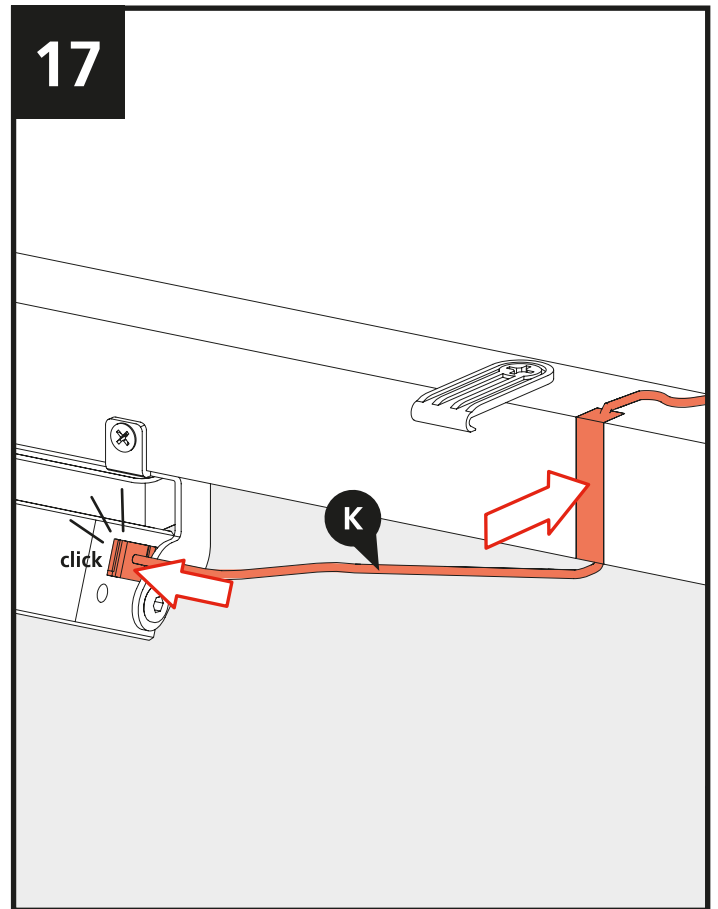
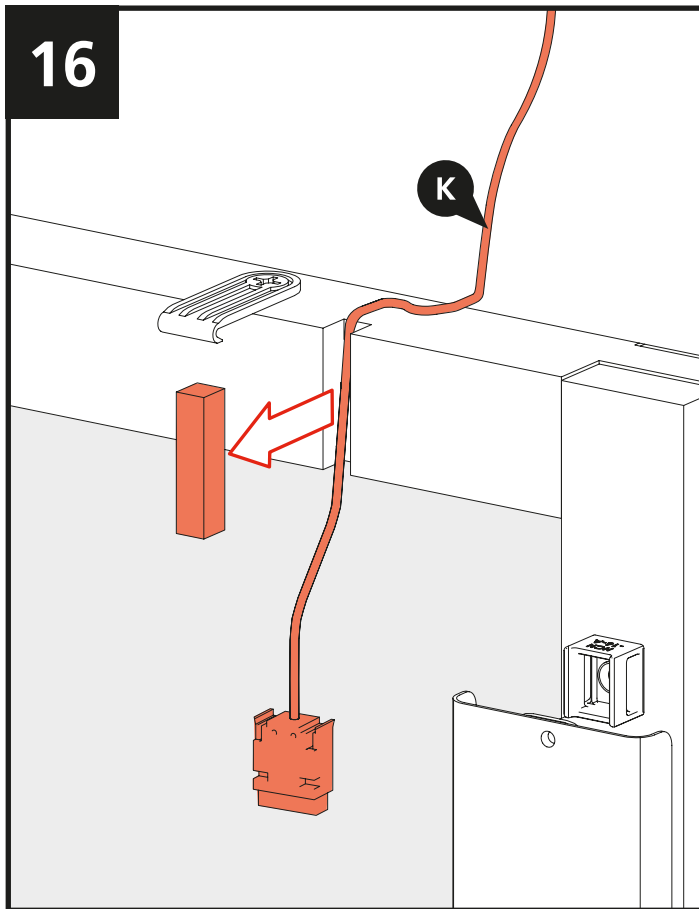


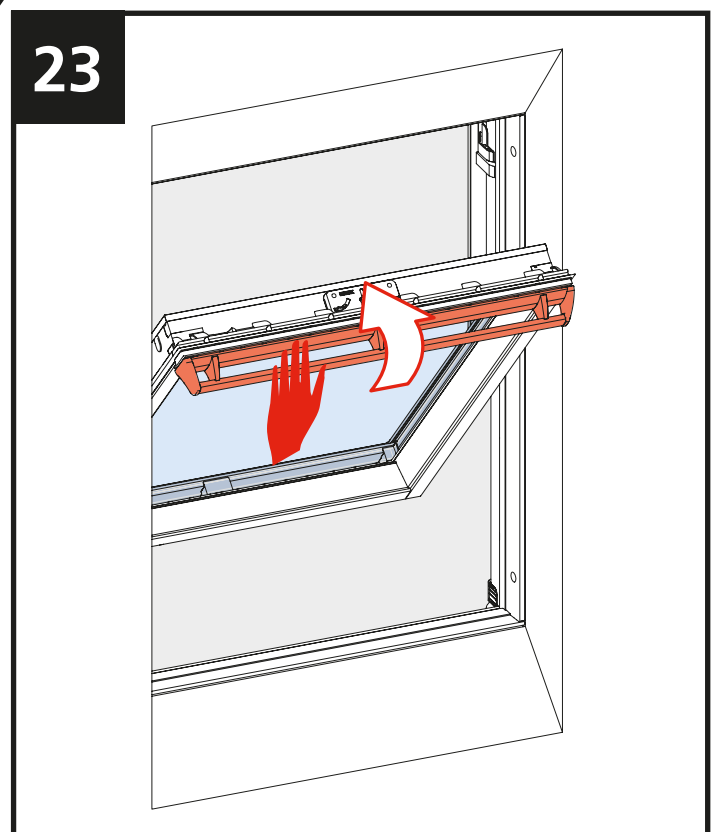
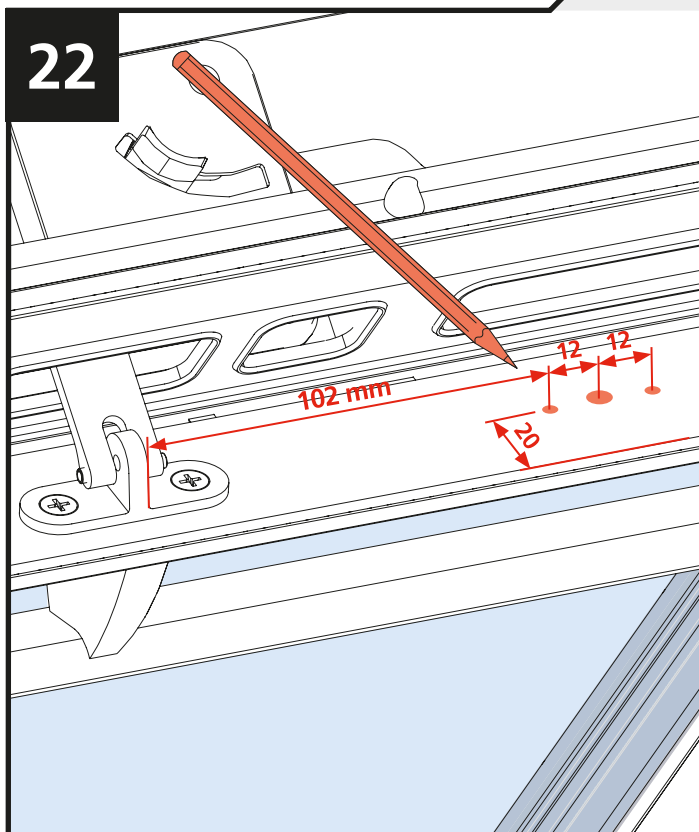
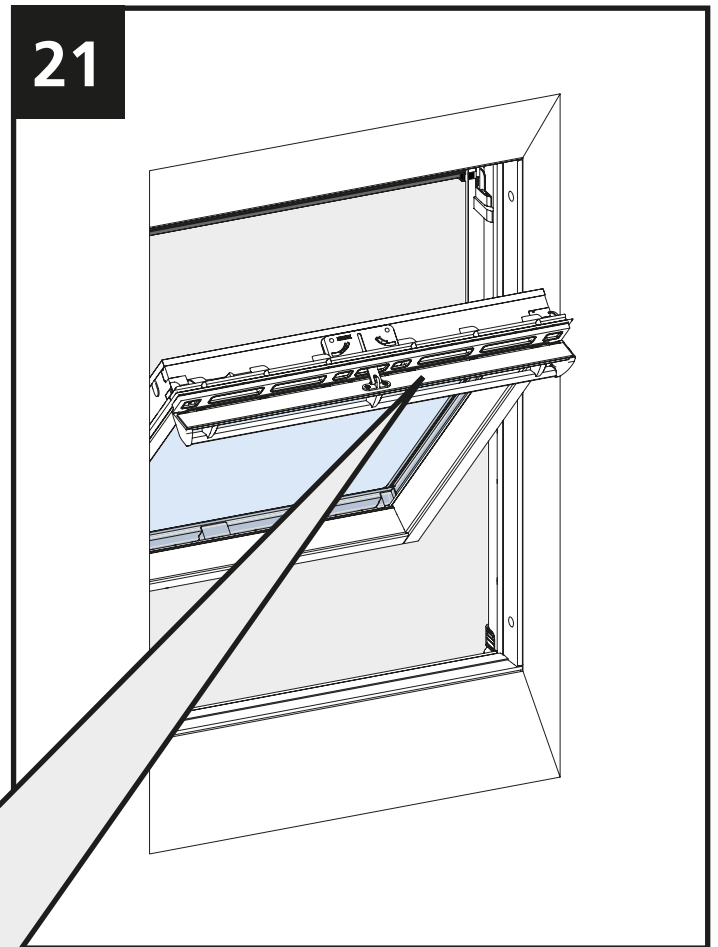
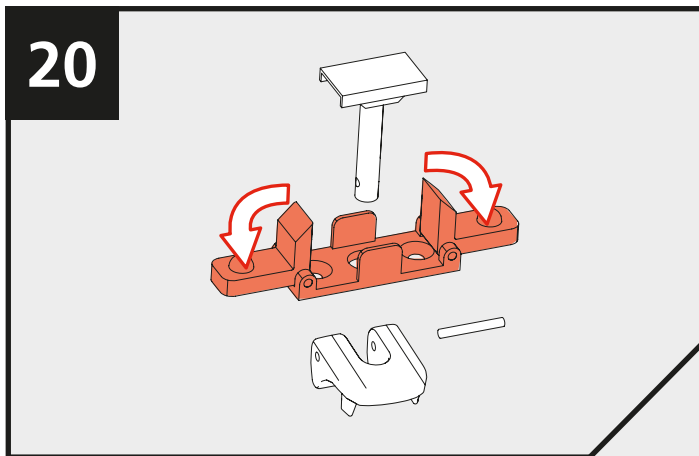
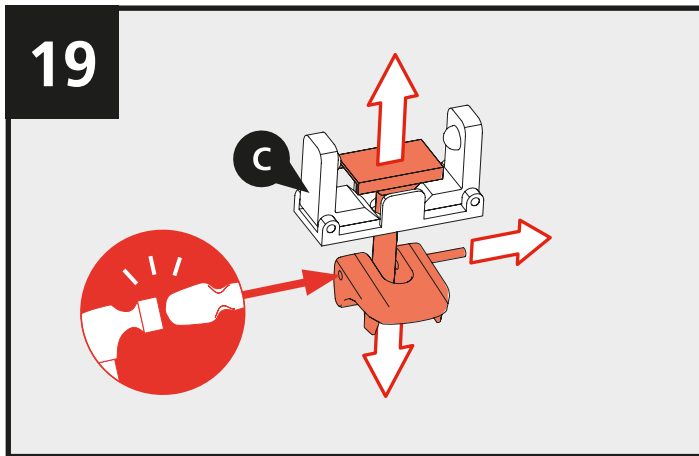


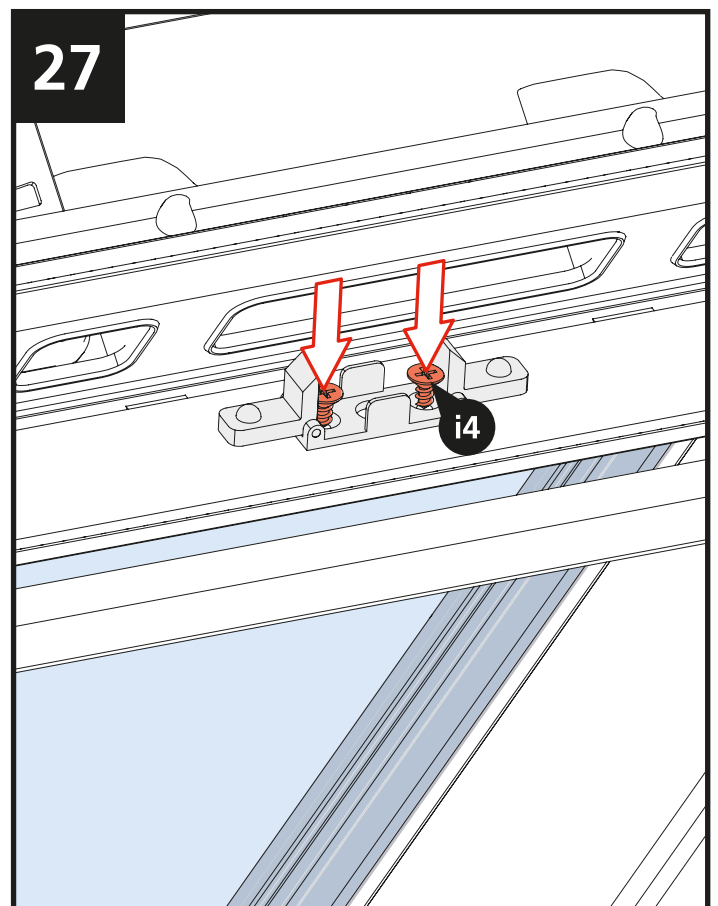
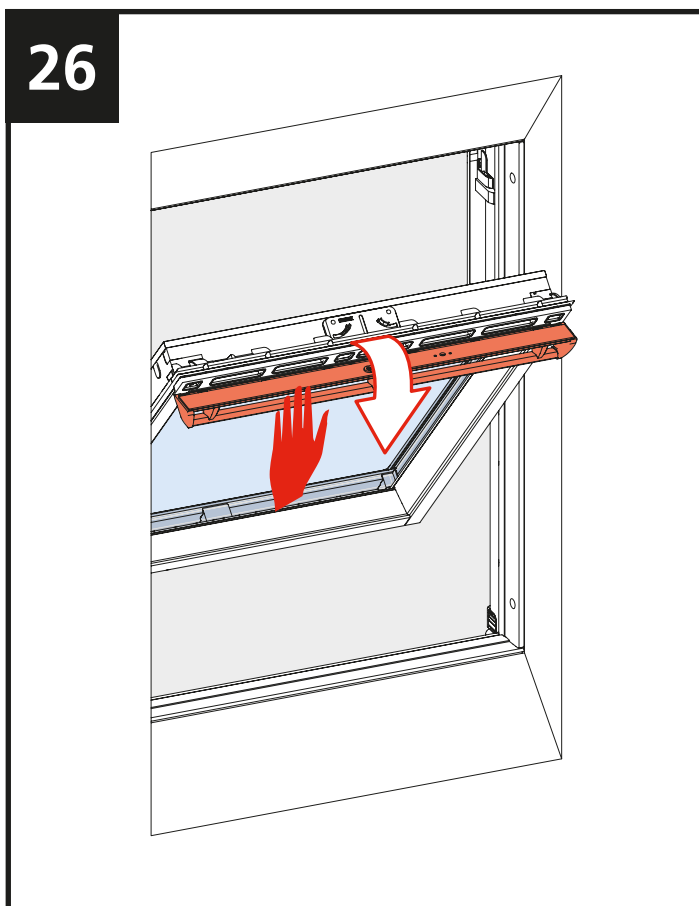
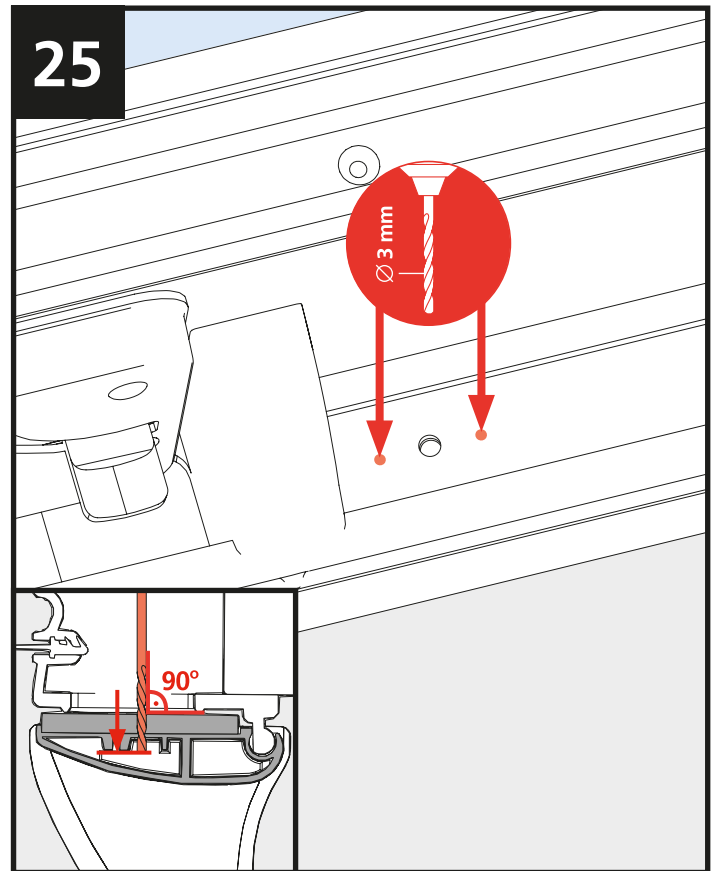
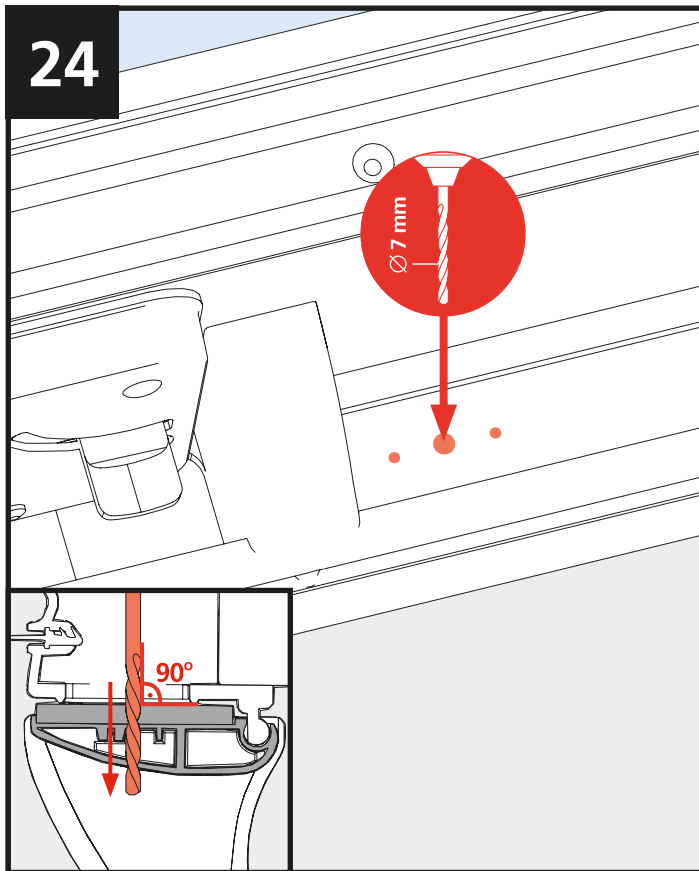


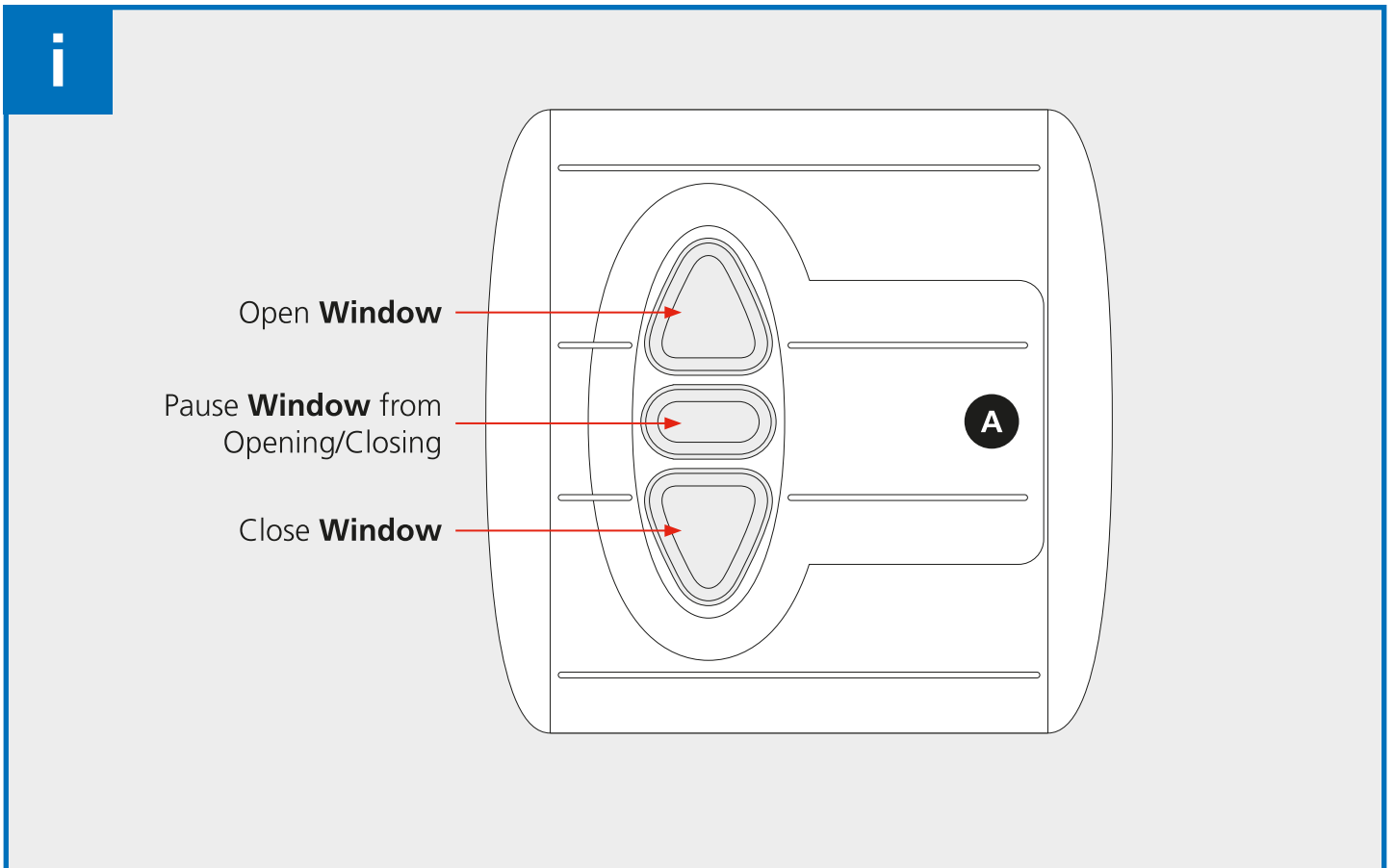
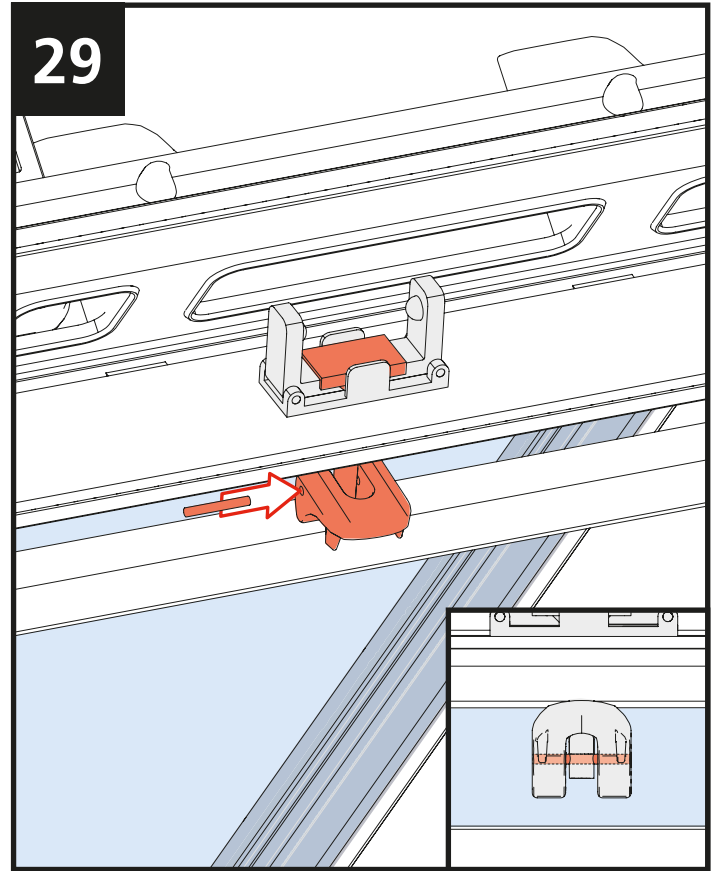
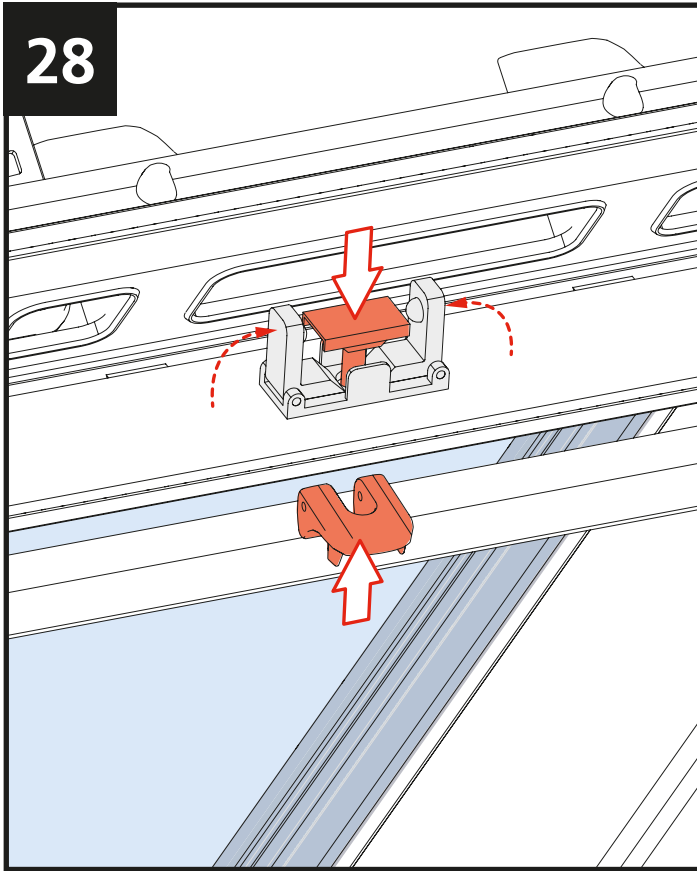










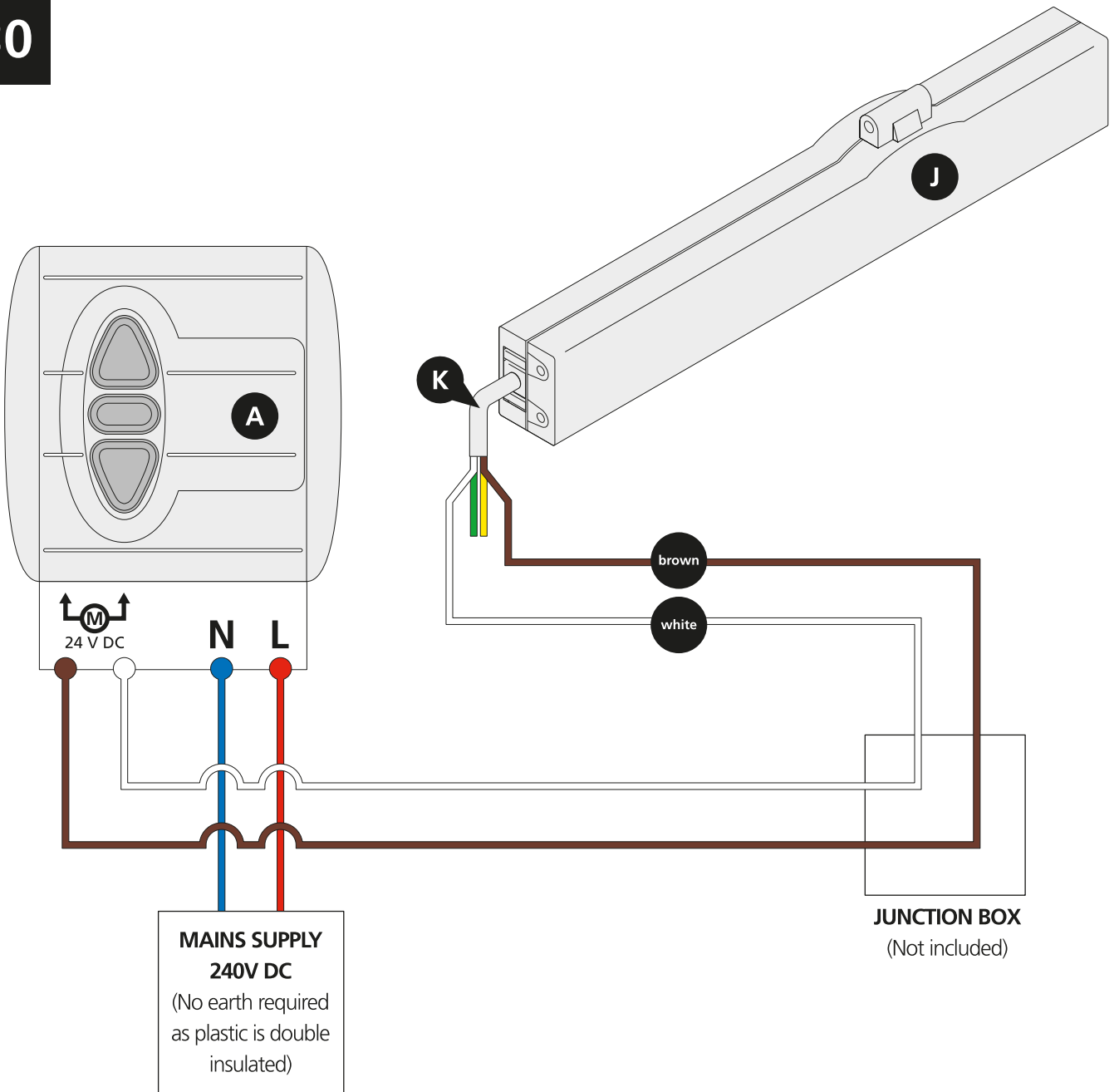


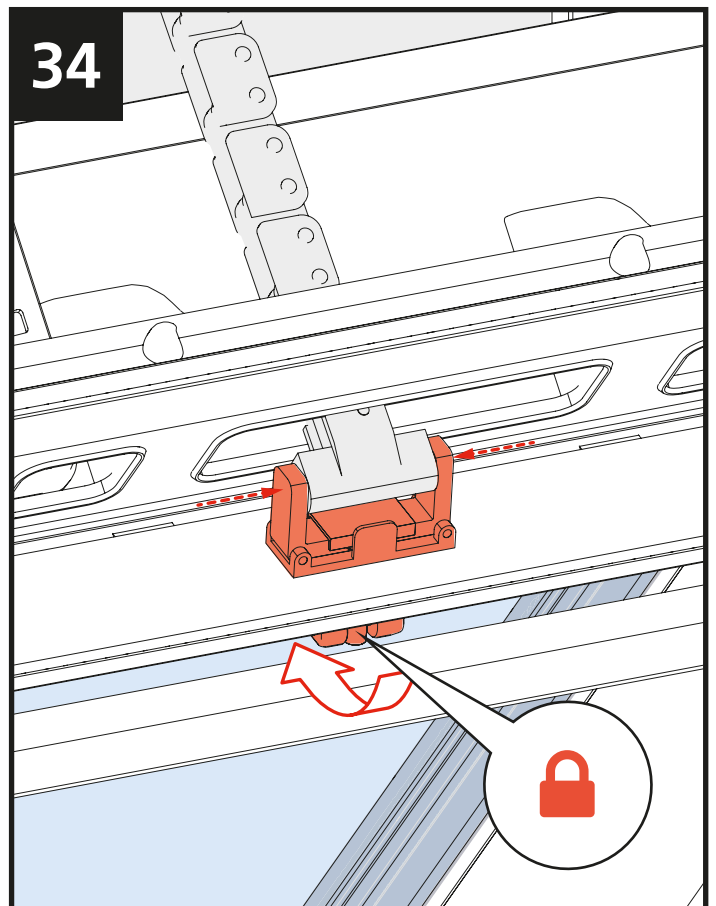
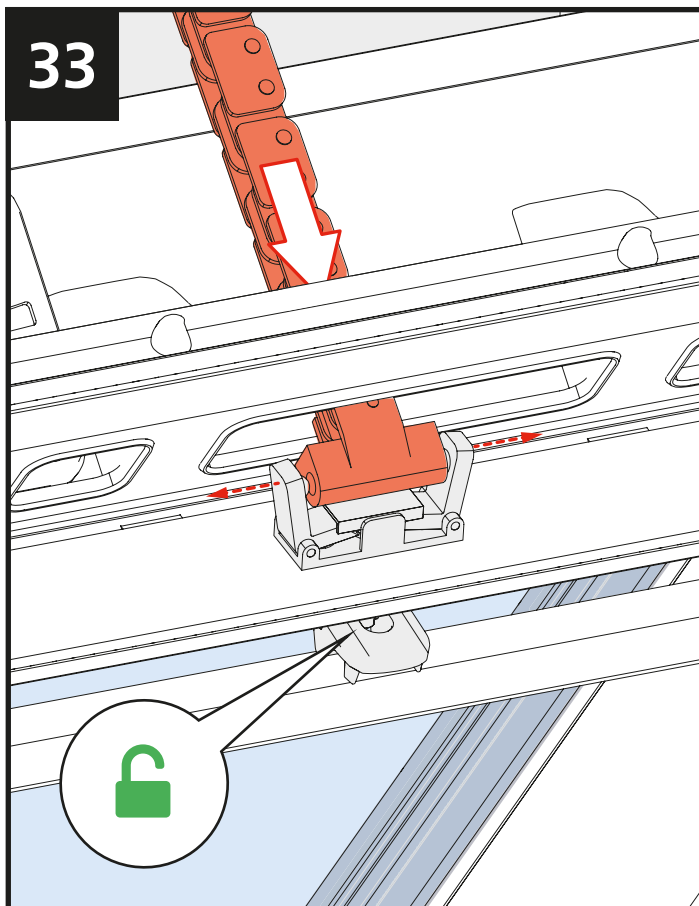
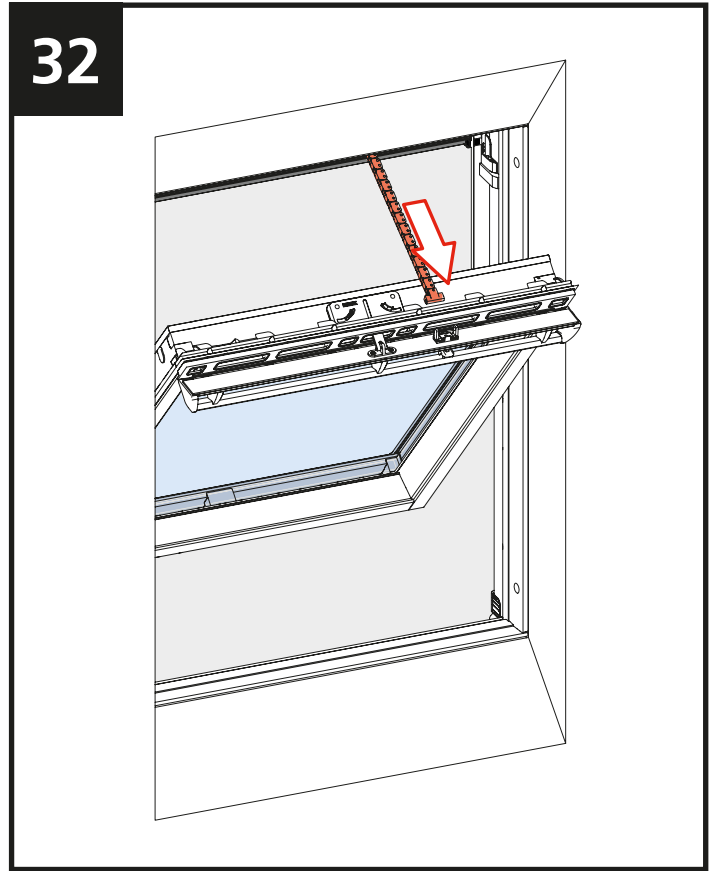
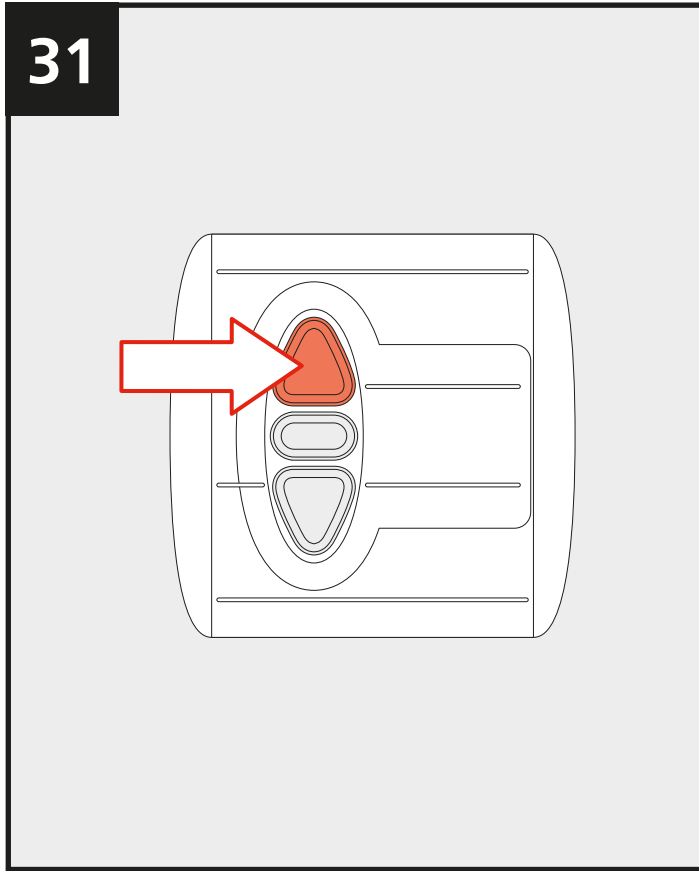


IMPORTANT INFORMATION

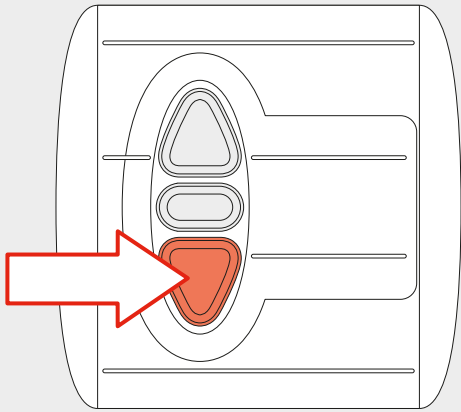
- 24 V DC **do not** connect to mains supply.
- When extending motor cable to wall switch **(A)**, only extend the white and brown cores.
- **The installation of this system must be carried out by a qualified electrician the guarantee will be voided if this is not followed.**

30

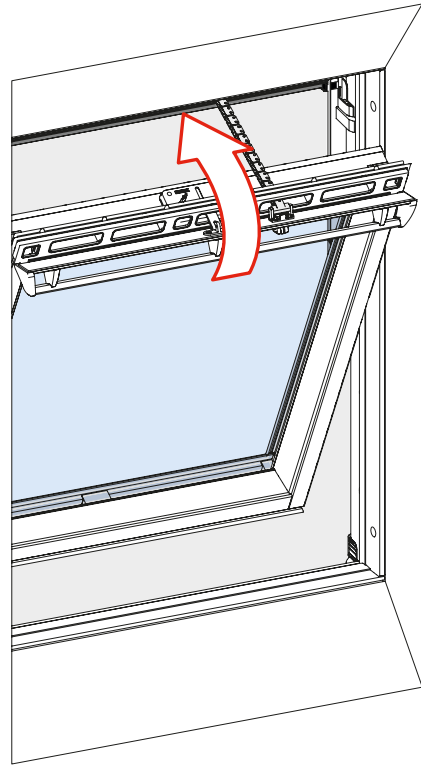




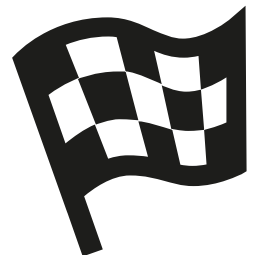
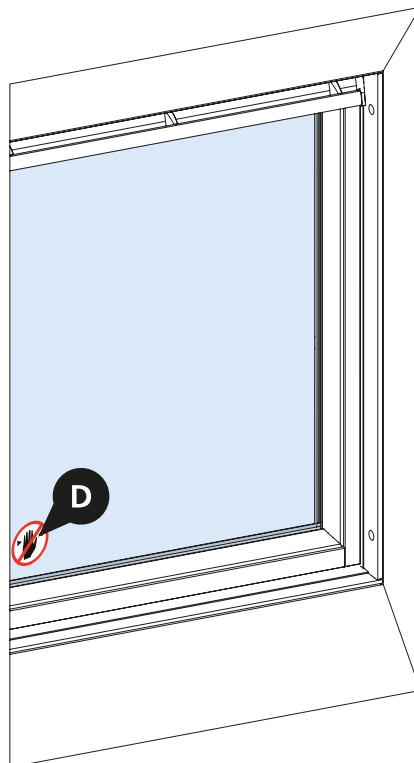
35



36



37





www.keyliteroofwindows.com