



IMPORTANT INFORMATION

Read carefully the instructions in full before installation. To ensure correct function and safe operation of the product, it is important to follow these instructions carefully.

- **The kit must not be used until it has been fully installed using these instructions.**
- There is a danger to life and risk of injury with electrically operated windows! The window motor stops by an electric limit stop or overload cut-off. The resulting forces are strong enough to crush body parts.
- Please attach the safety sticker **(D)** to be clearly visible on the frame of the roof window.
- The remote control **(B)** should be kept out of reach of children.
- If repair work is required, disconnect the transformer plug **(A)** from the mains supply.
- Installation in rooms with high levels of humidity should be in accordance with relevant electrical regulations.
- Kit is for indoor use **only**.
- Please ensure that the occupants are aware that the window is operated using the remote control **(B)**, and will close automatically when rain occurs.
- The transformer plug **(A)** **must not** be covered (maximum temperature of 40°C).
- (*) Part **(G)** is included only for the wooden window - CP.
- **We recommend only a suitably qualified electrician should install and connect all the electrical devices.**



Function

- This window may be manually operated by removing the pin and clip **(C)** from the back of the ventilation handle when the window is open or by removing the domed nut **(K)** on the ventilation handle when closed.
- In case of snow and / or ice, the operation of the window may be obscured.

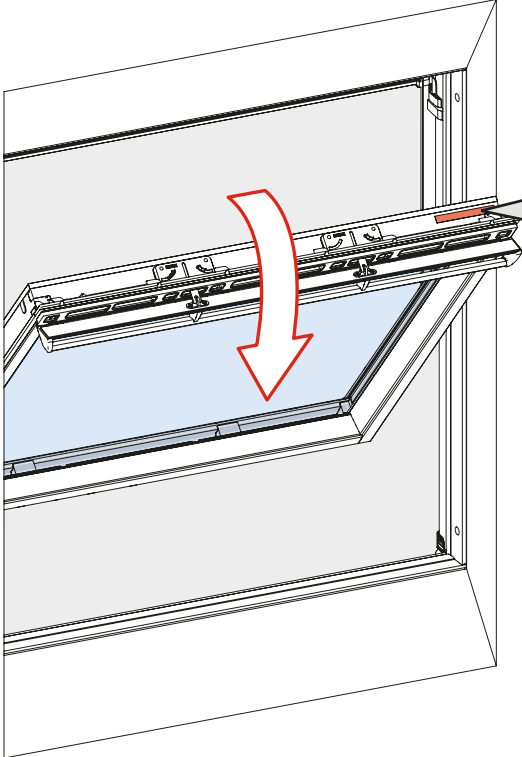
Product

- The transformer plug **(A)** **must not** be removed and mains voltage fed directly to the ECU.
- Disposal of the electric product must be in conformation with national waste regulations.
- The packaging can be disposed as normal household waste.

Maintenance and service

- If installed and operated correctly in accordance with the instructions, the kit does not require any maintenance.
- It is recommended that KEYLITE service engineers carry out any repair work to the window or Keylite electric Kit.

!



keylite	Window size 08 1140x1180		
	Serial Code:	1 608180000000	

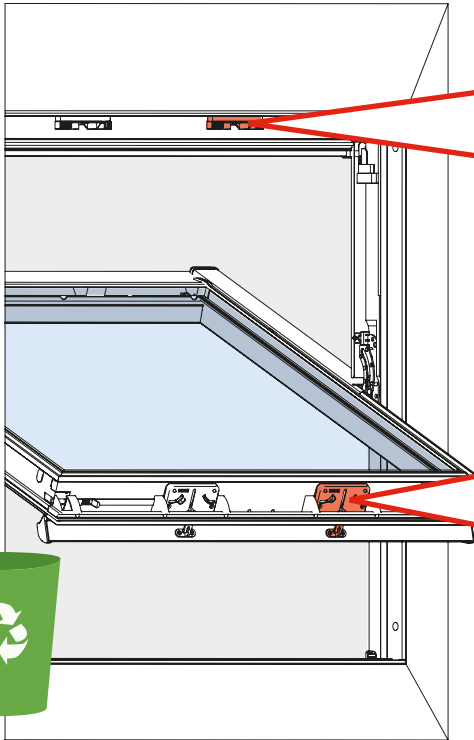
keylite	Window size 09 1340x980		
	Serial Code:	1 609180000000	

keylite	Window size 10 1340x1400		
	Serial Code:	1 610180000000	

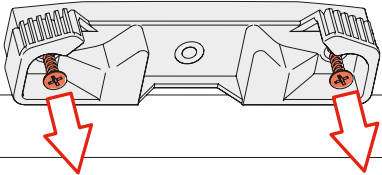
Steps **A1** & **A2** for window width 1140 & 1340 mm **only**

Window sizes:
Standard: **08, 09, 10**

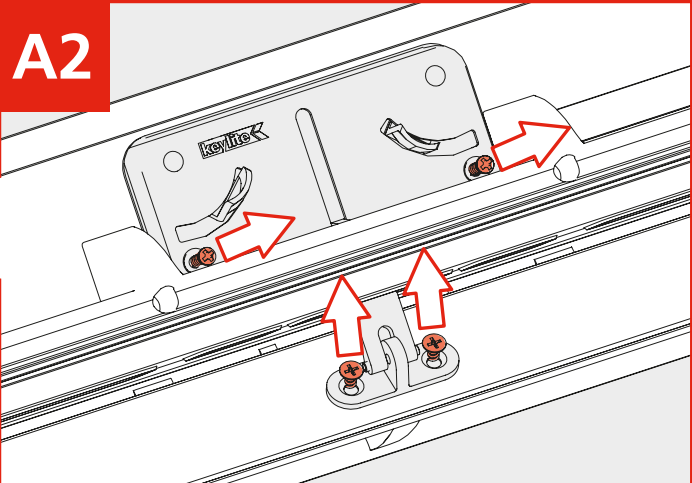
Non-standard:
08A, 08B, 08F, 08G, 09A, 09C, 09G




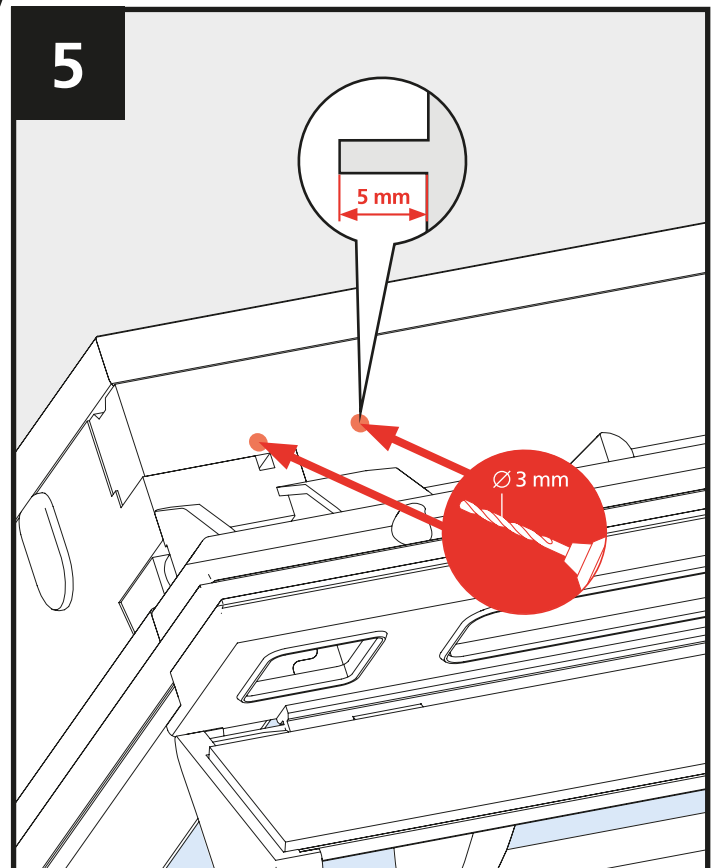
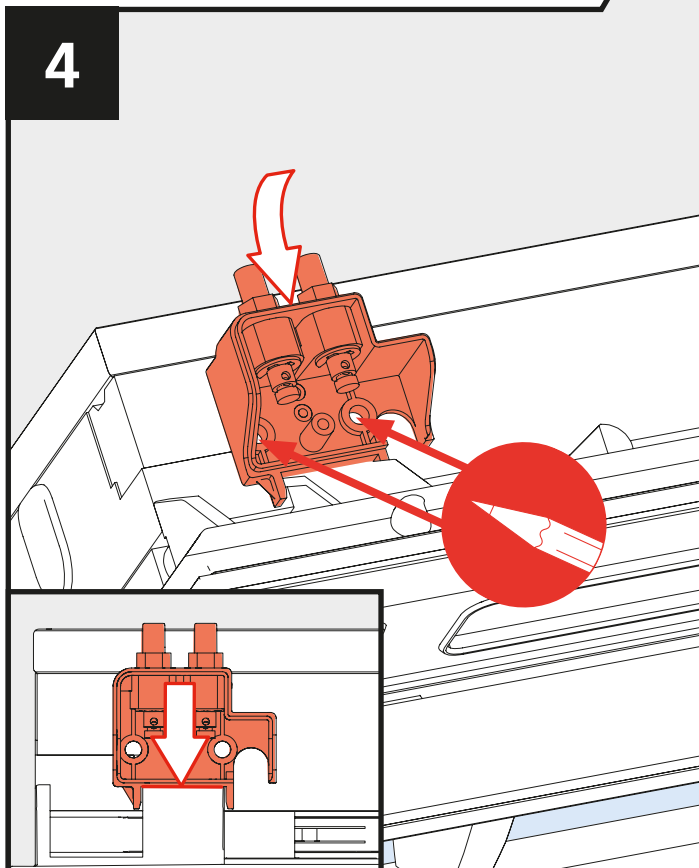
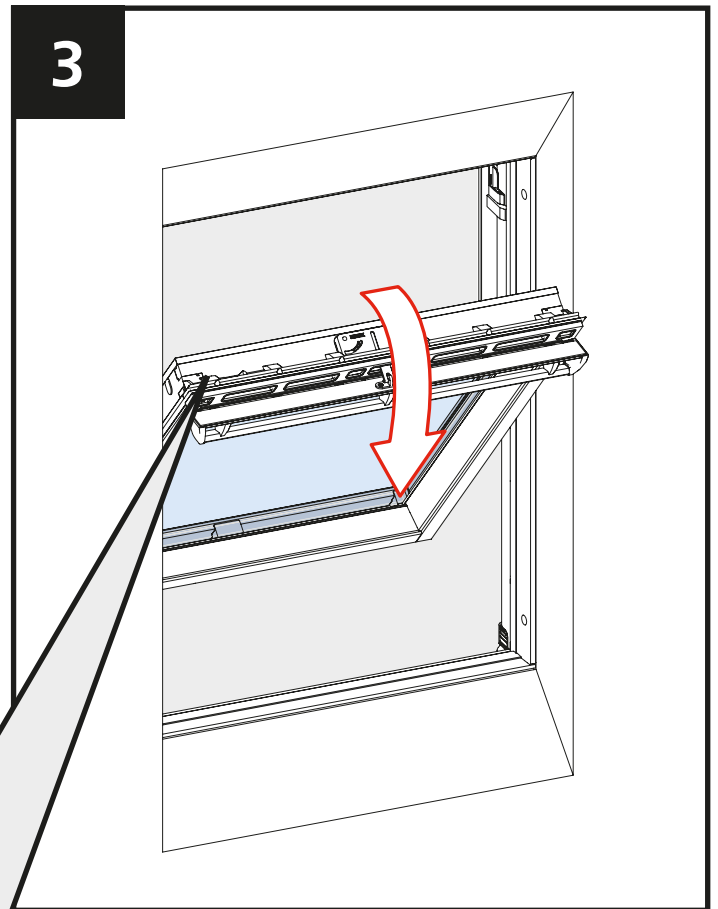
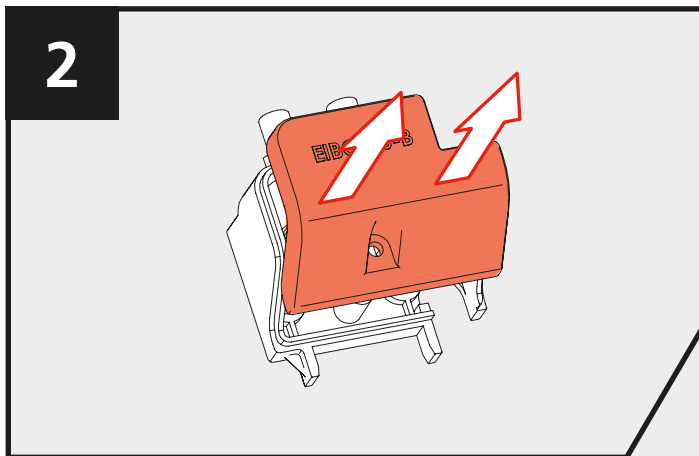
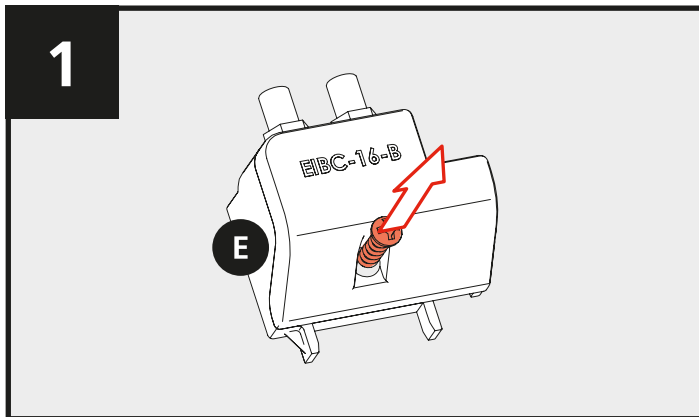
A1

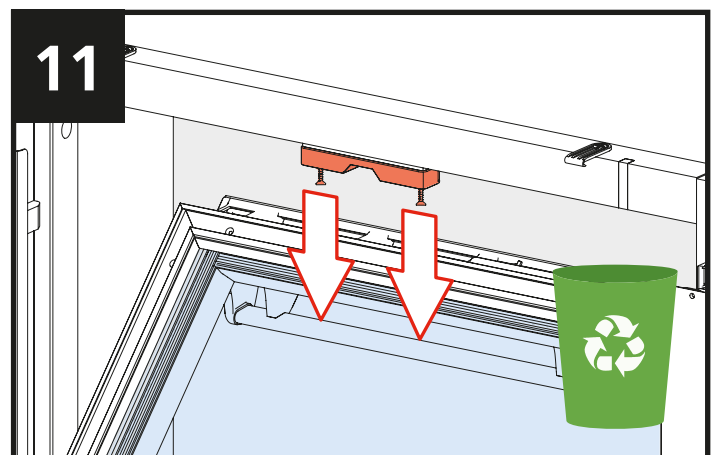
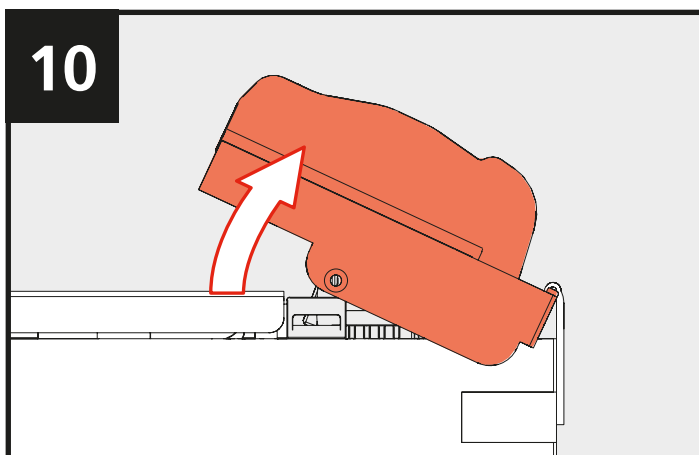
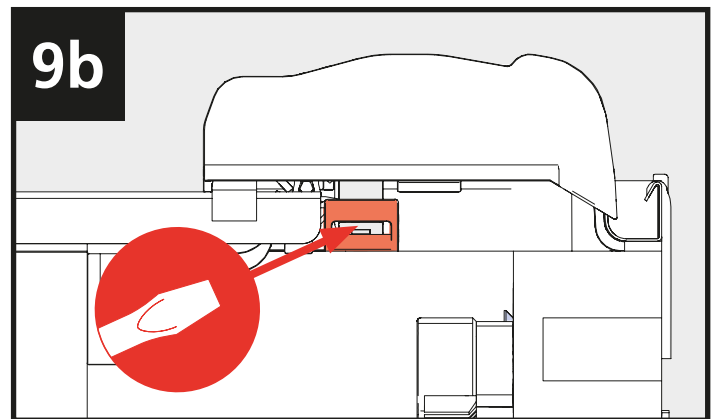
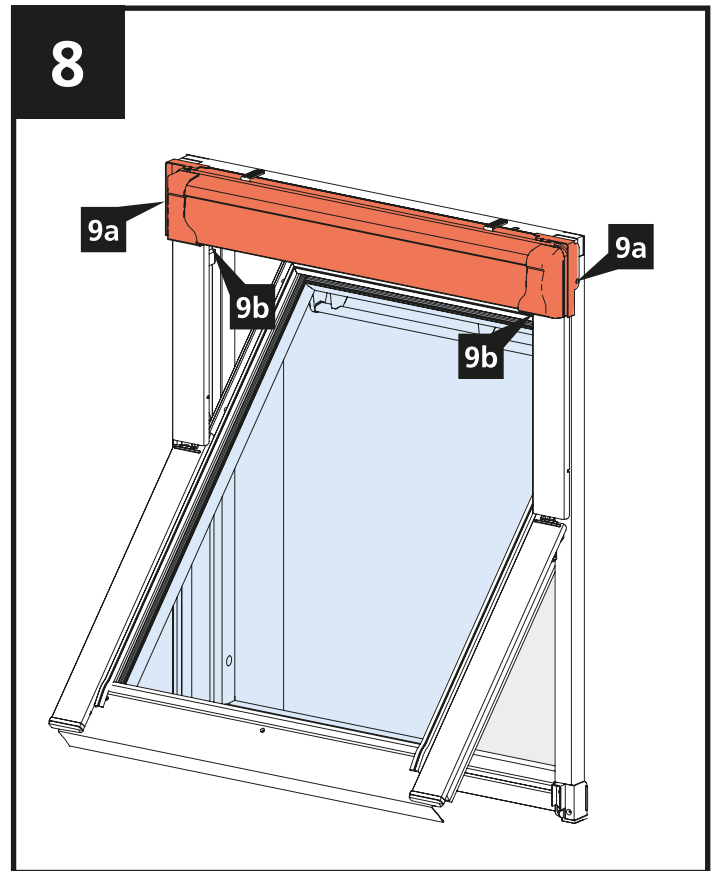
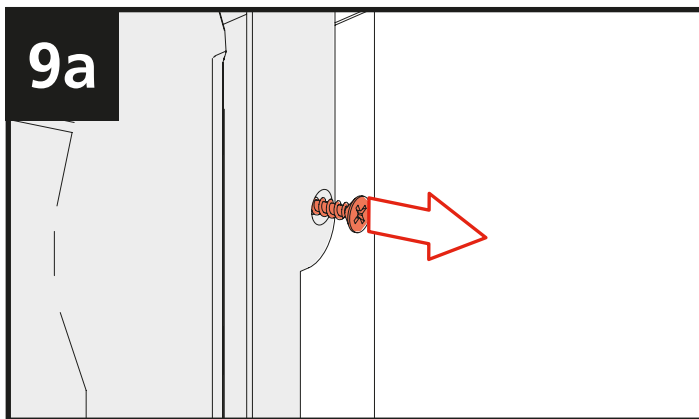
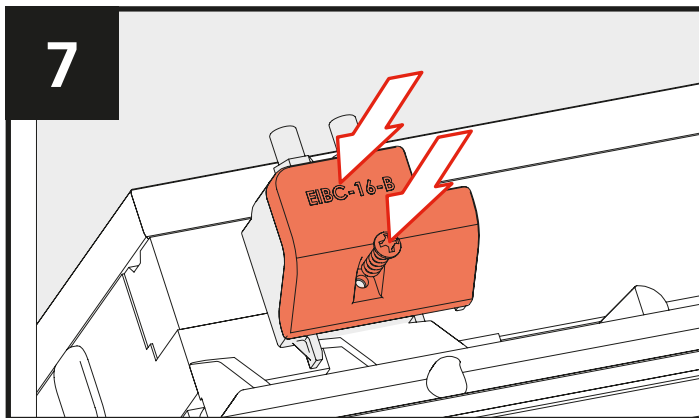
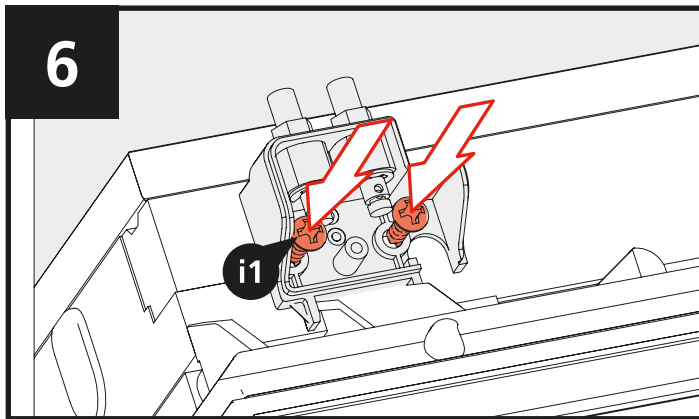


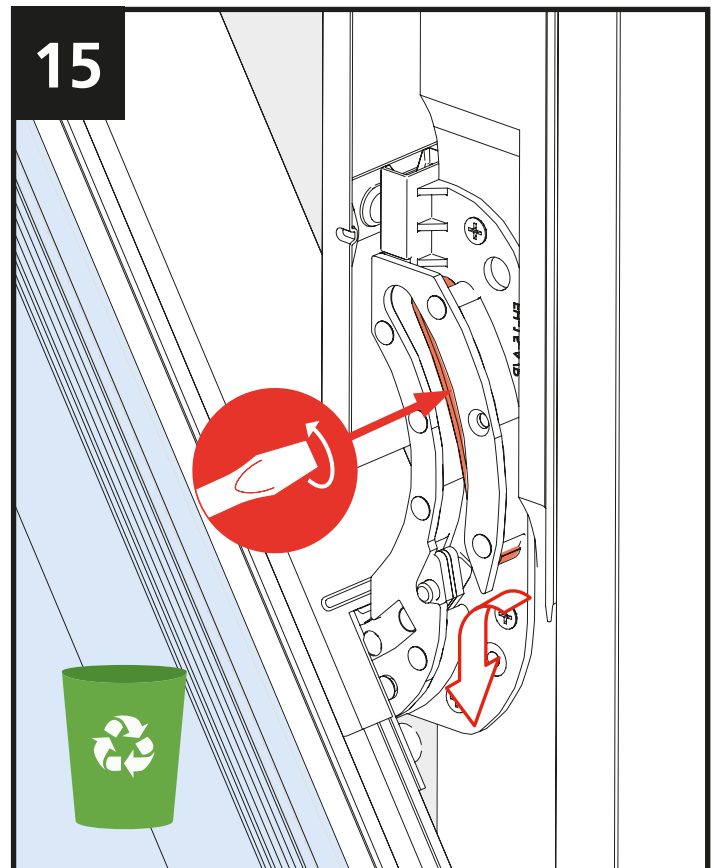
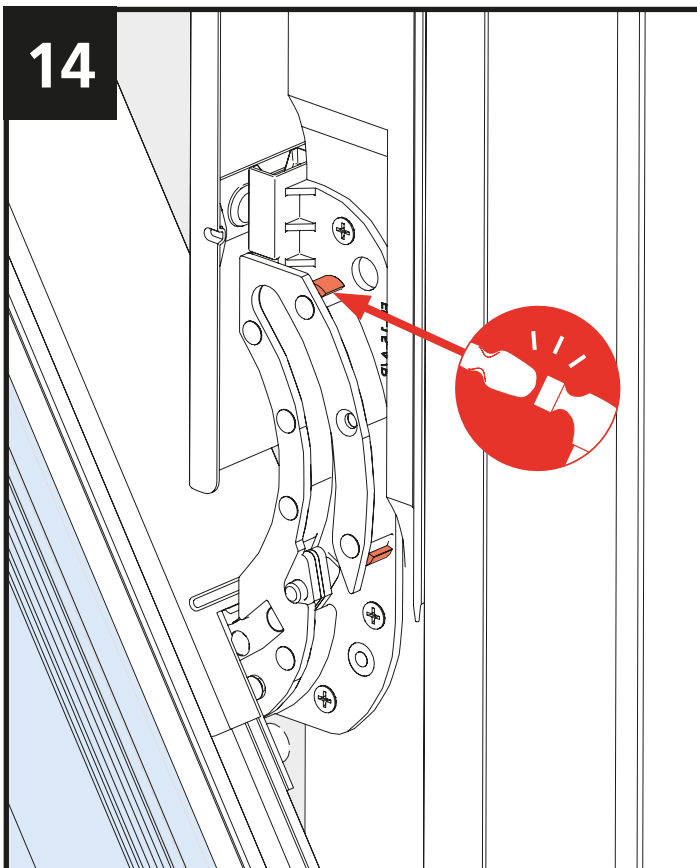
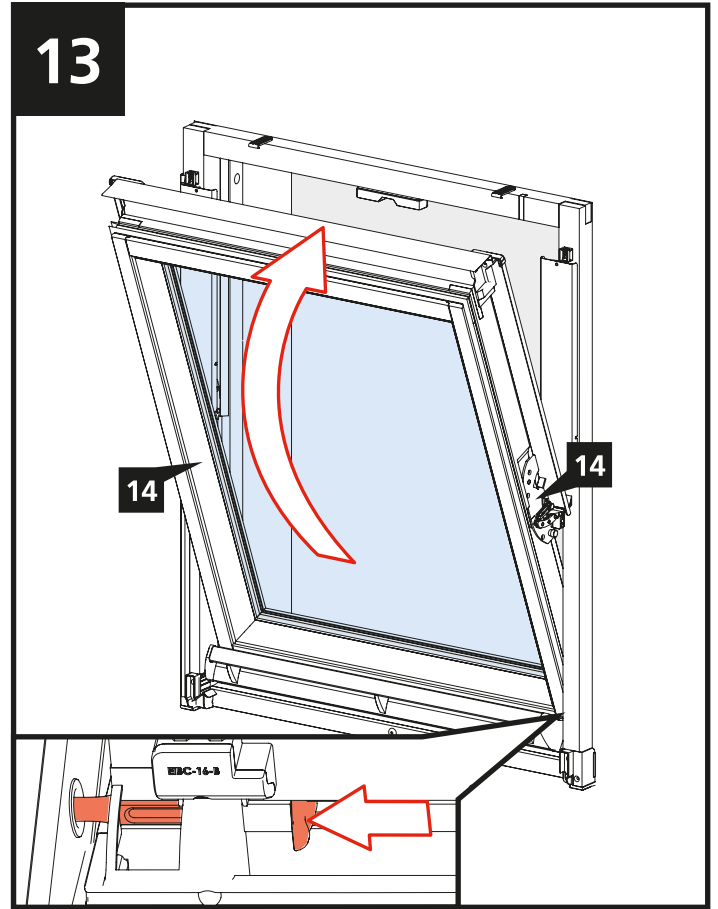
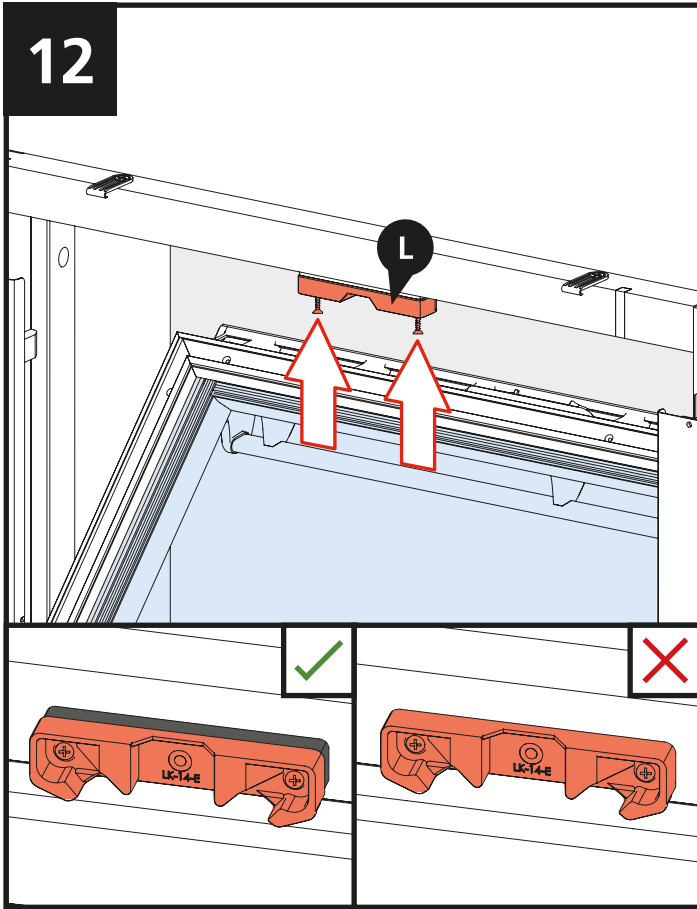
A2

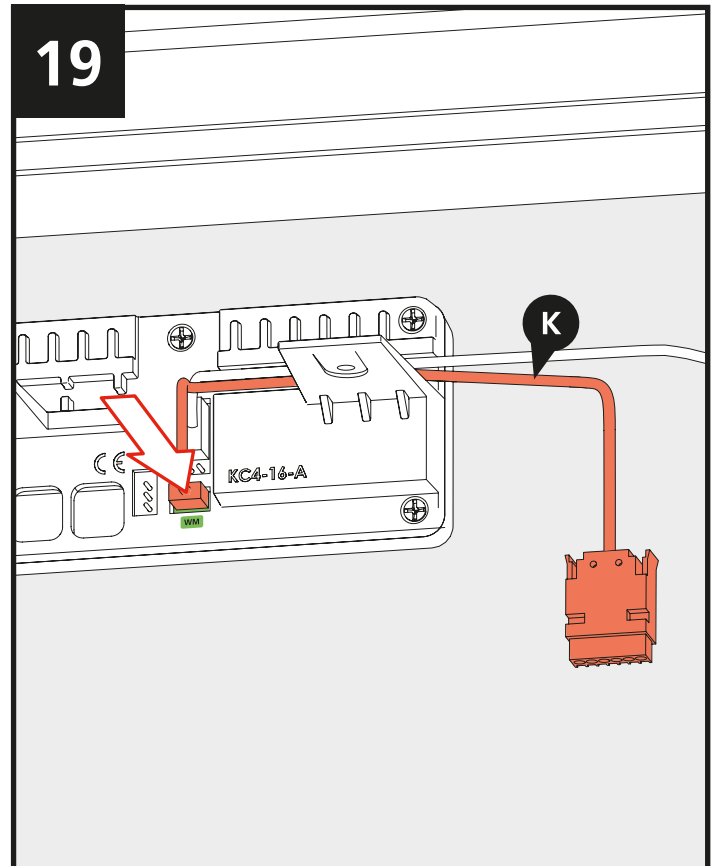
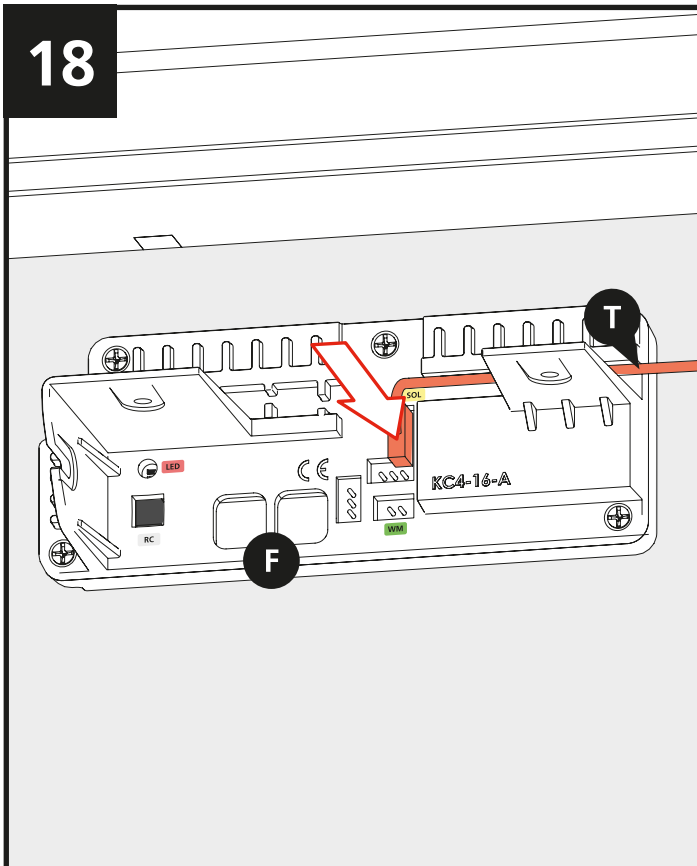
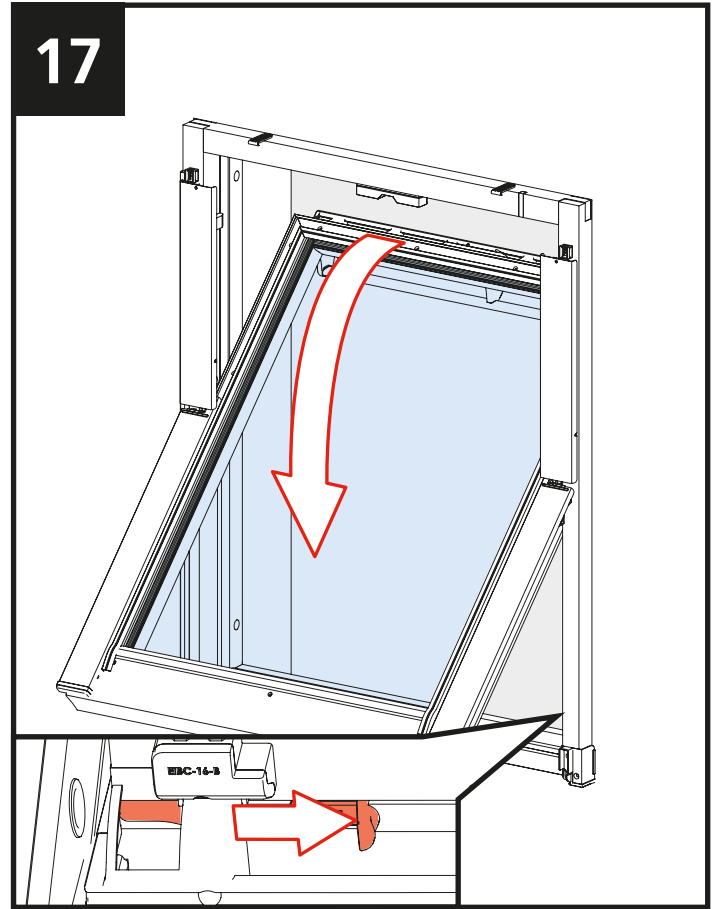
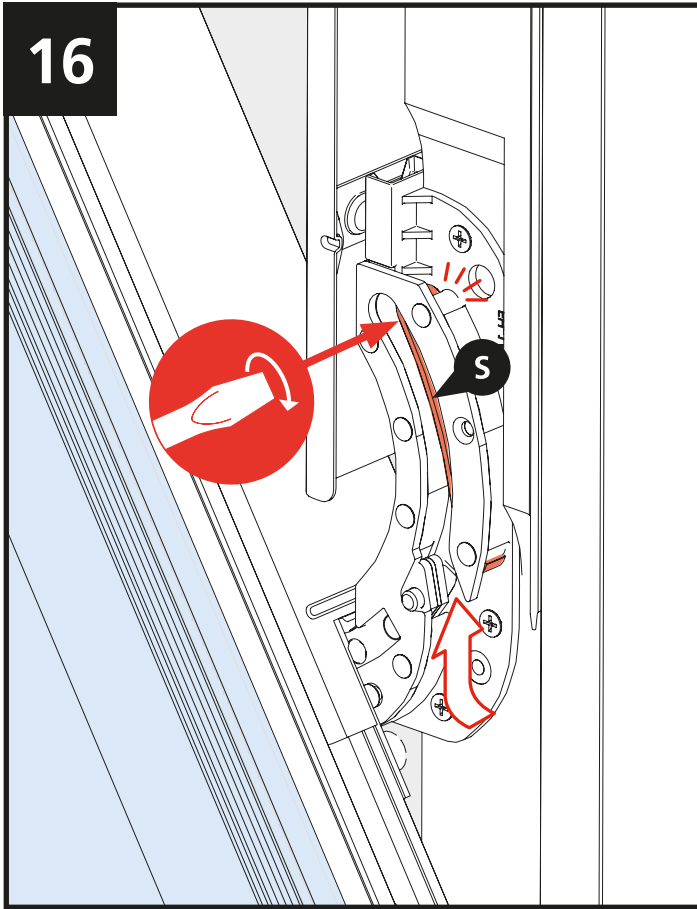


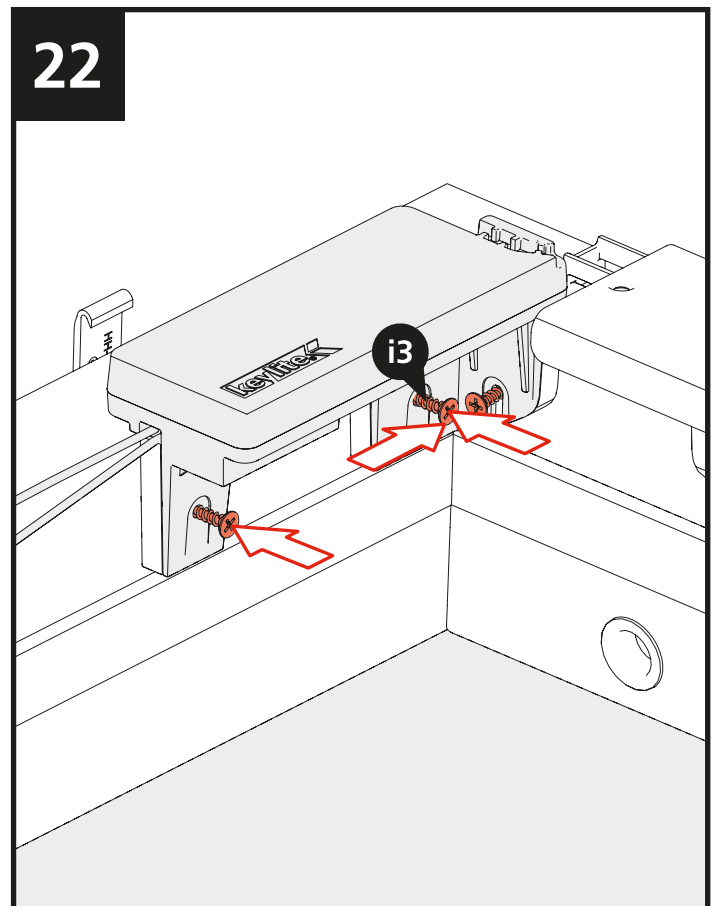
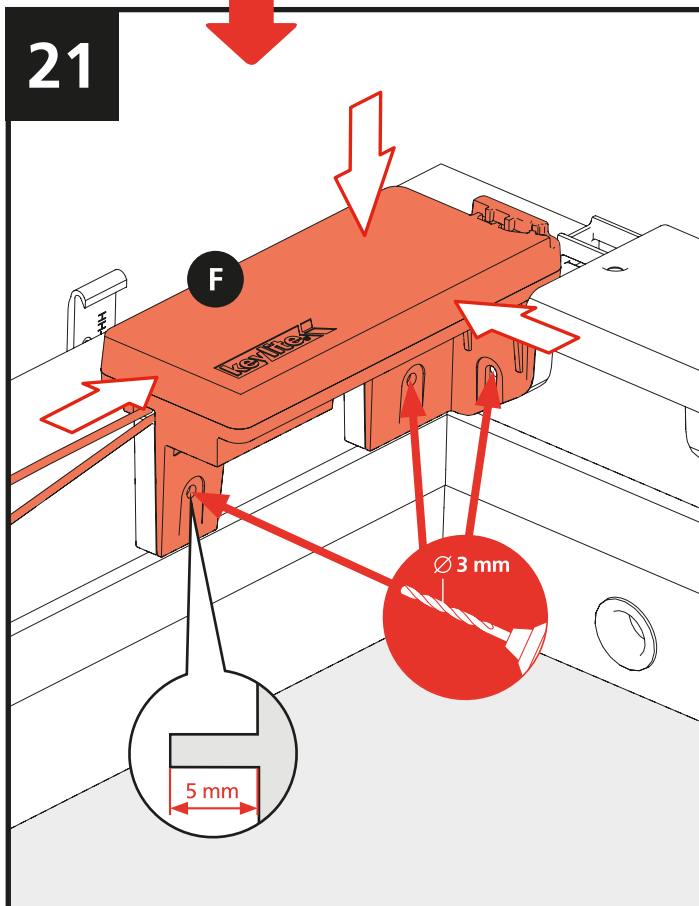
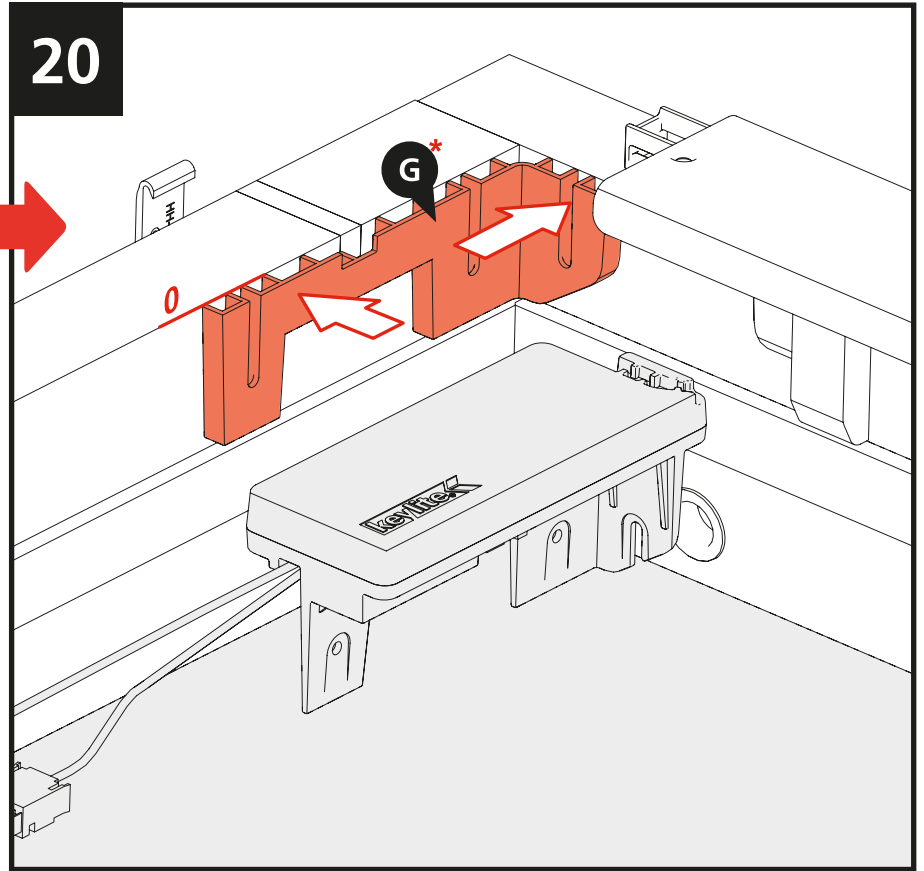
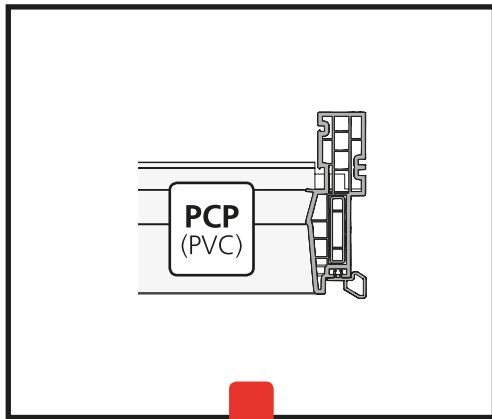
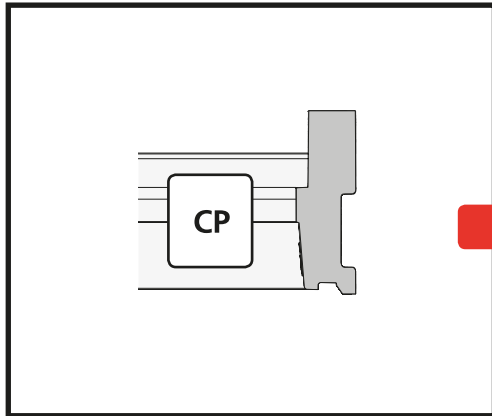




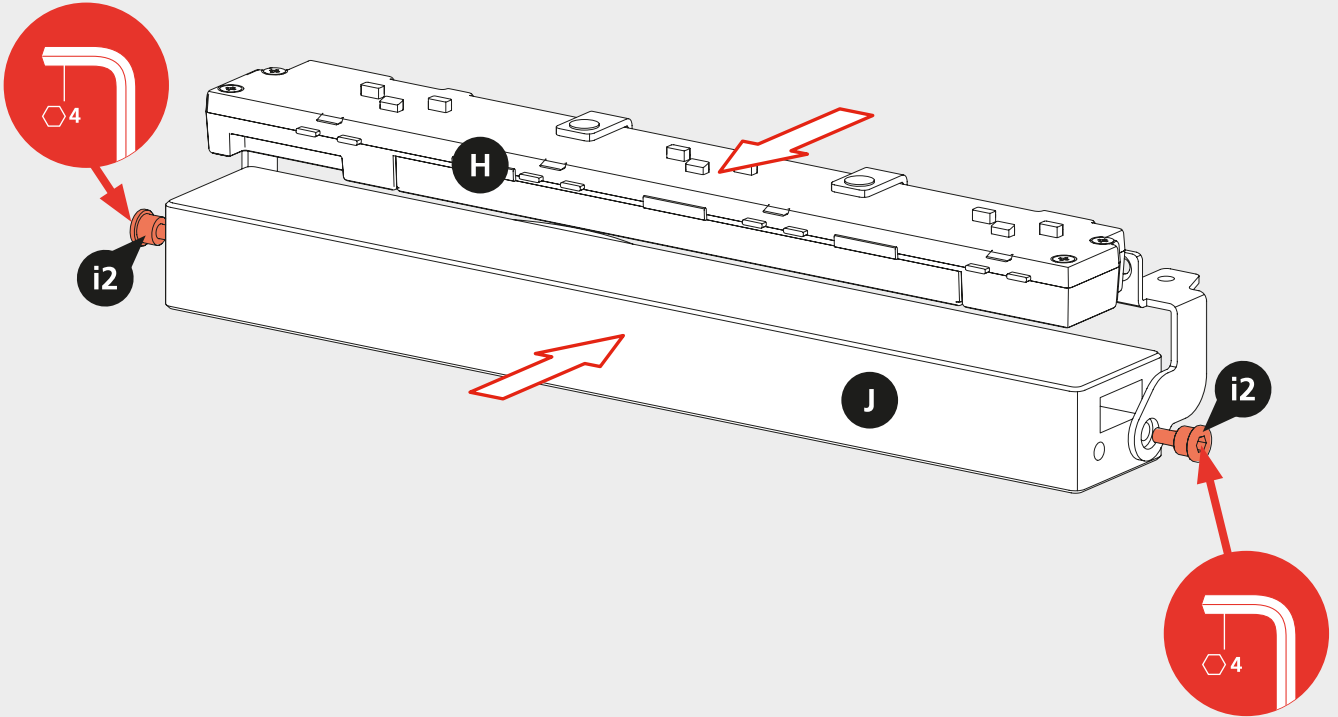




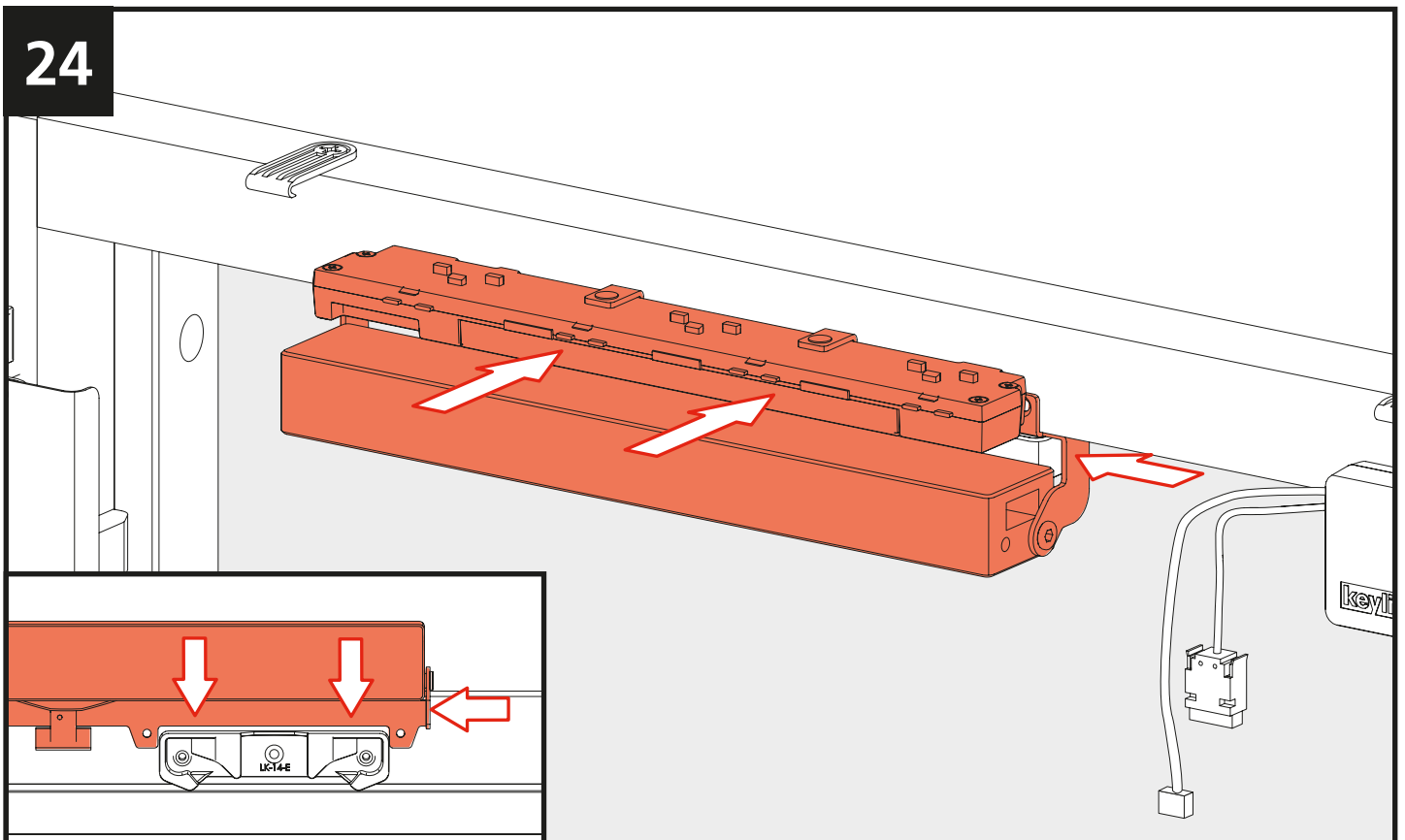


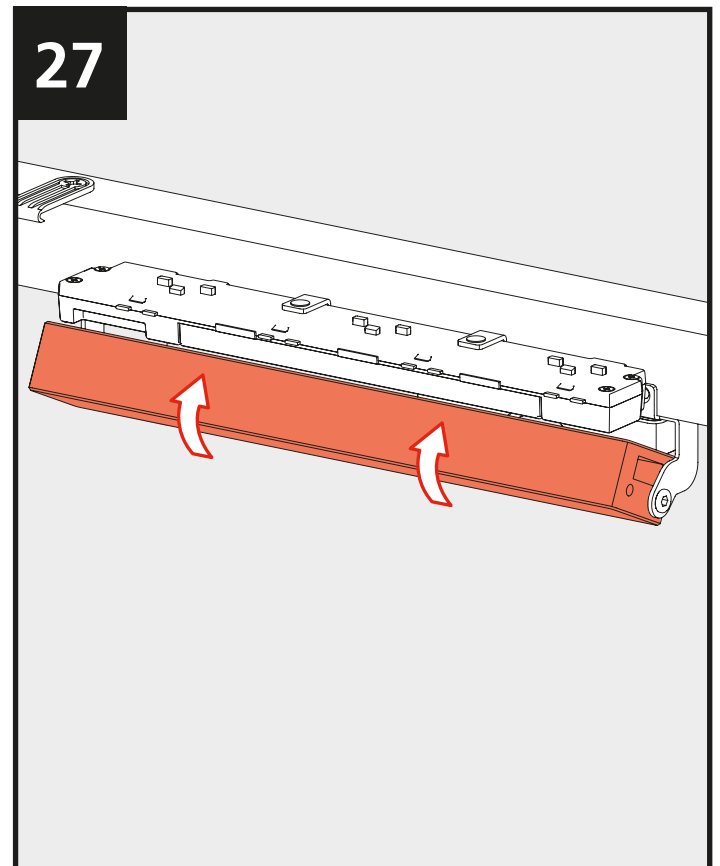
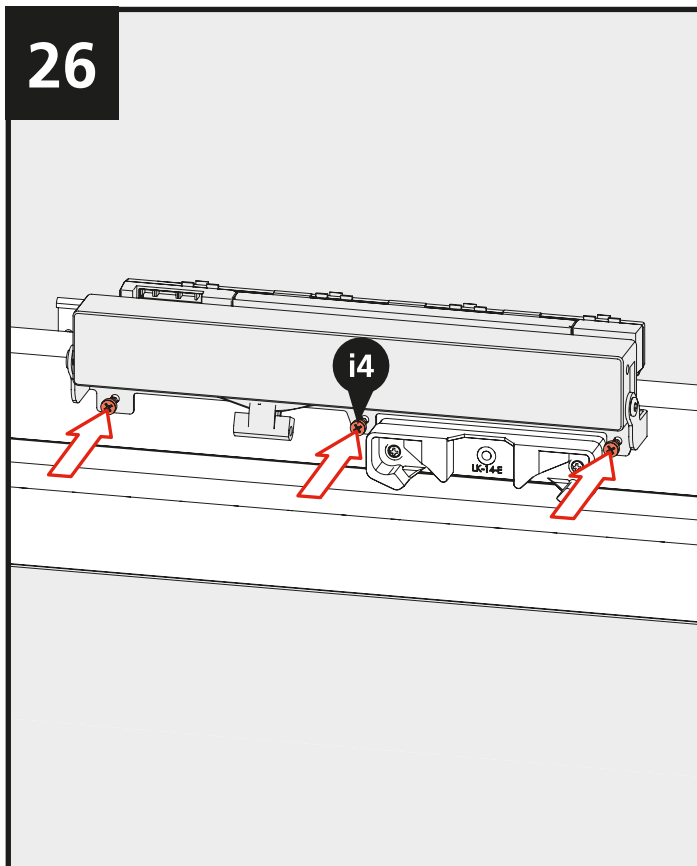
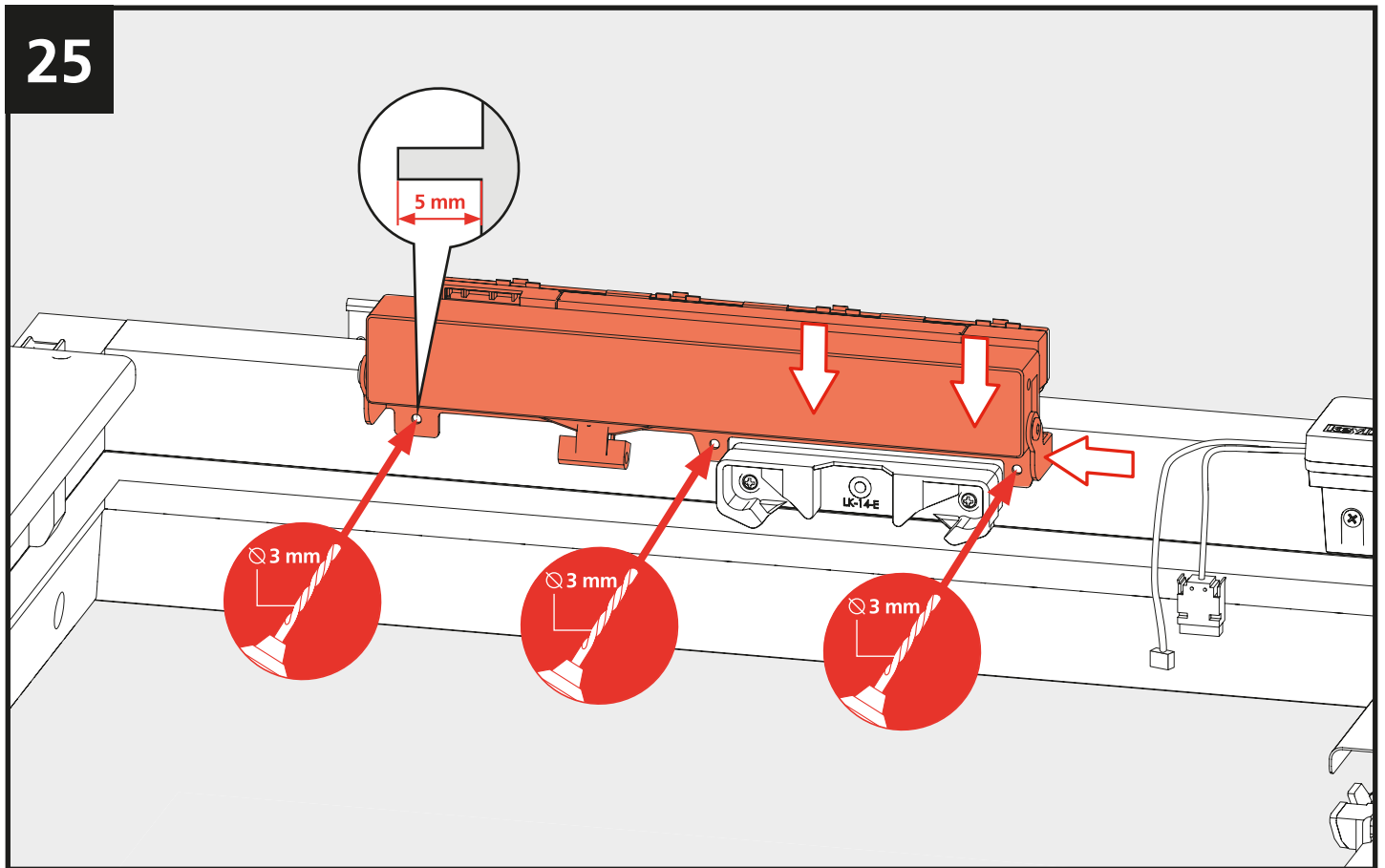


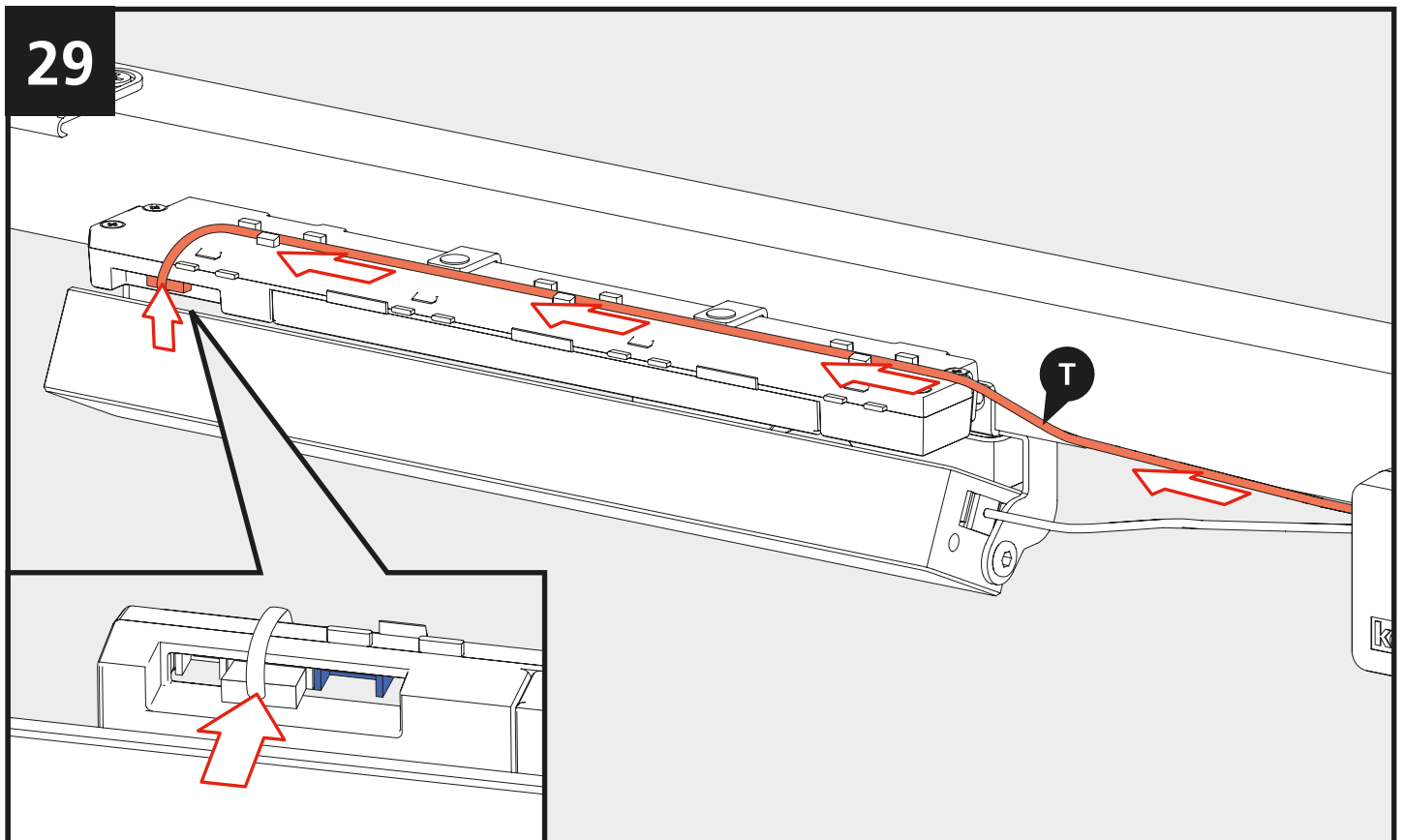
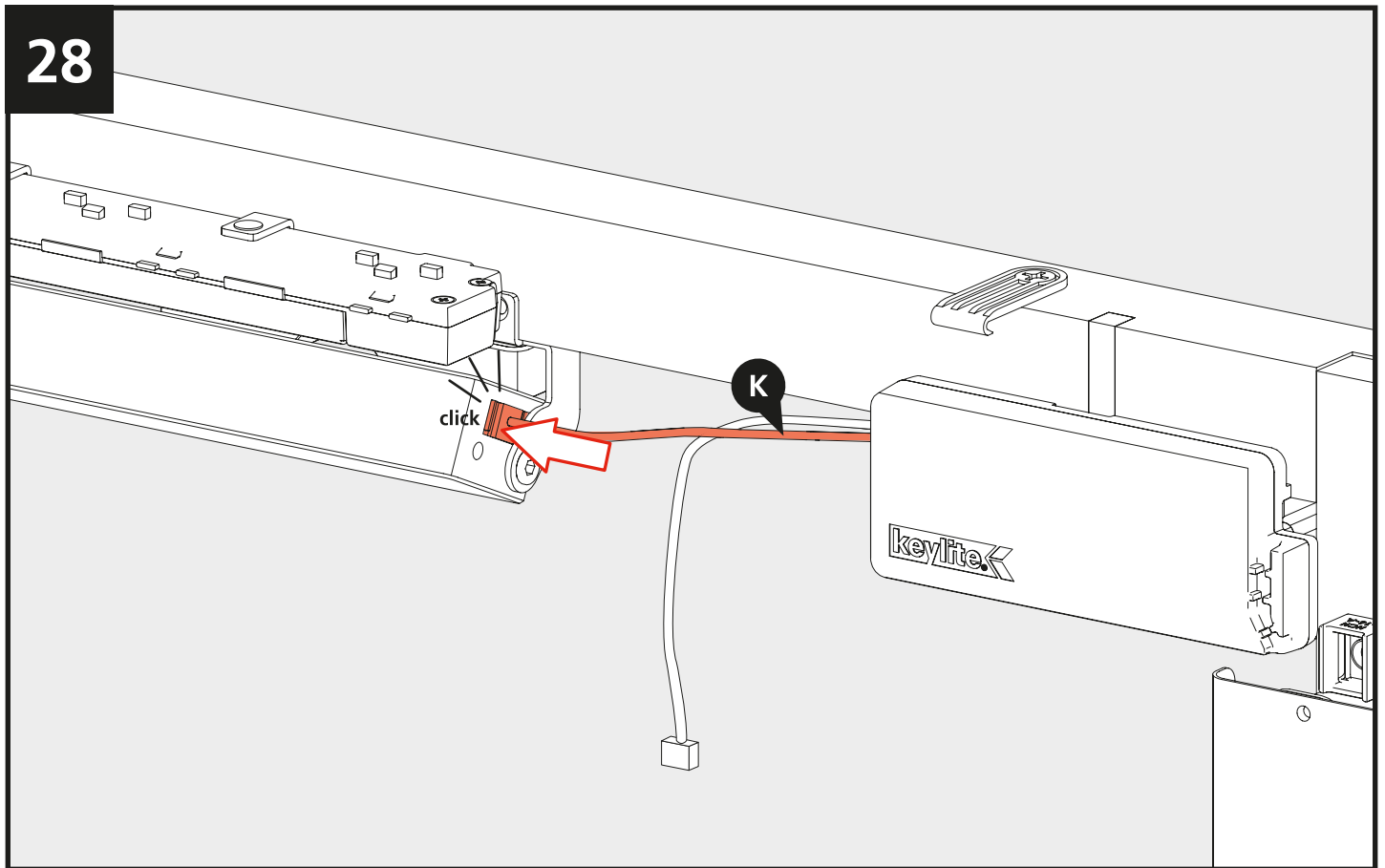
23

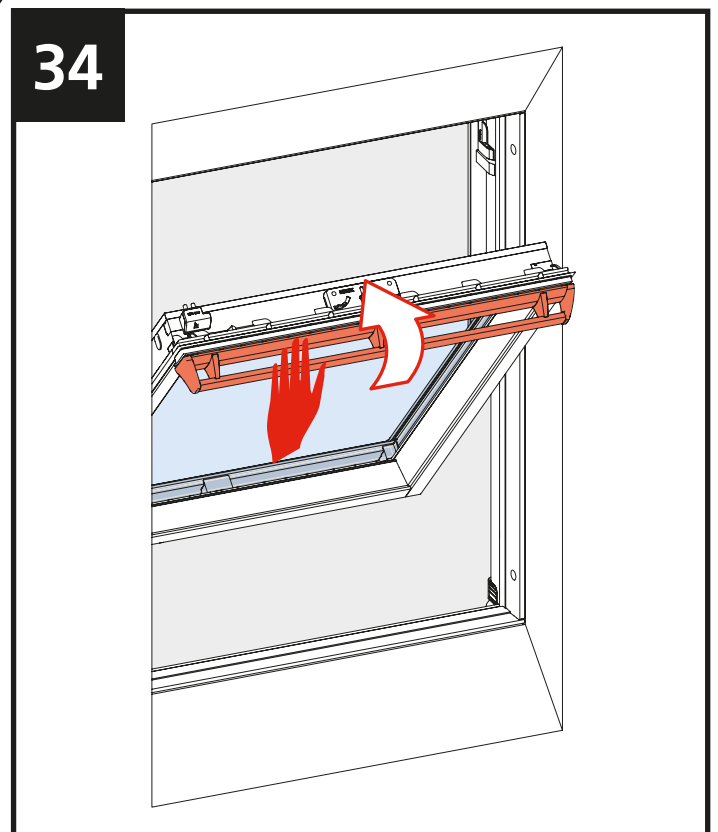
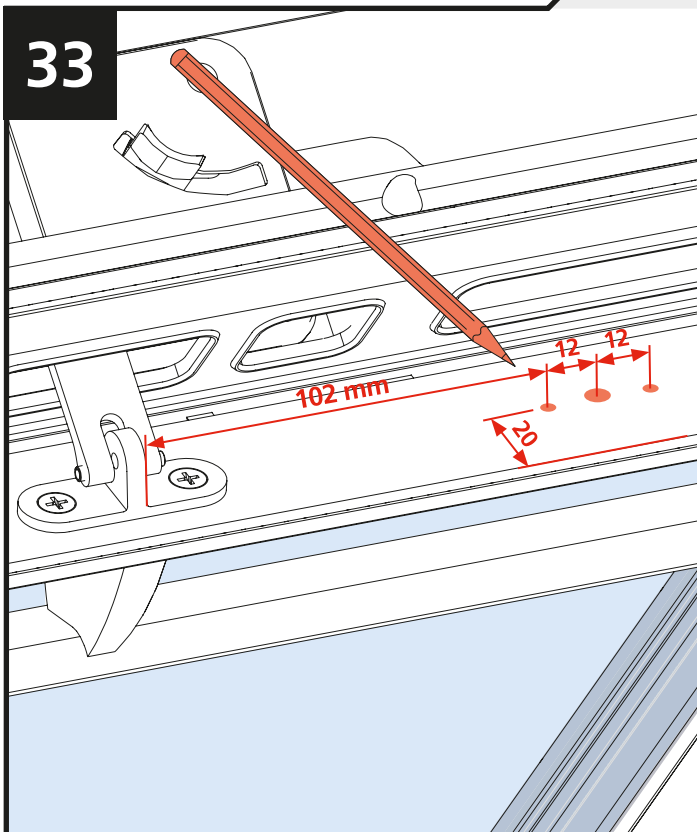
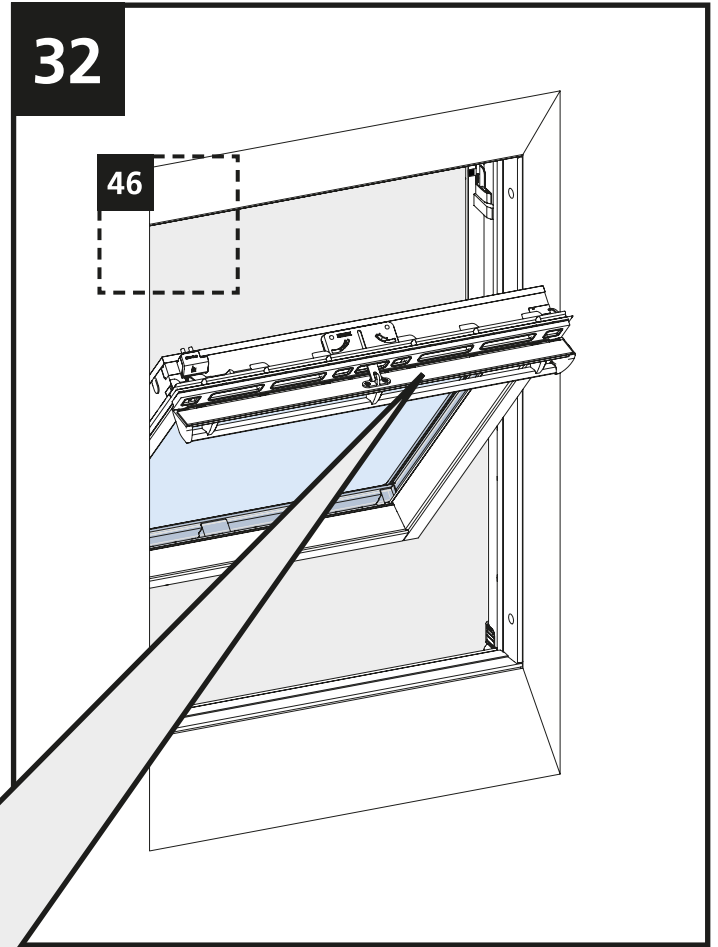
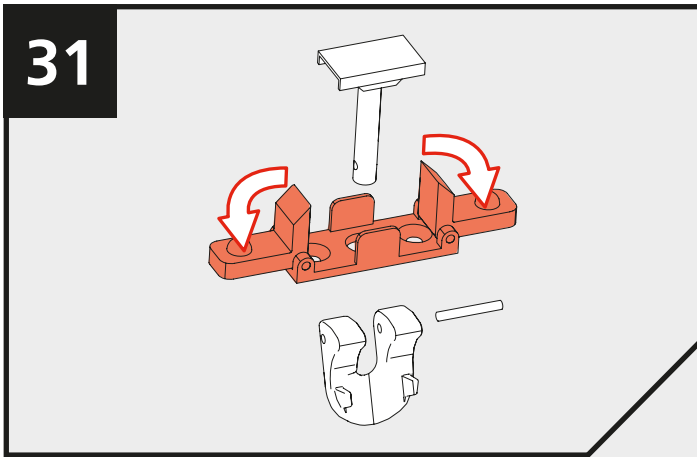
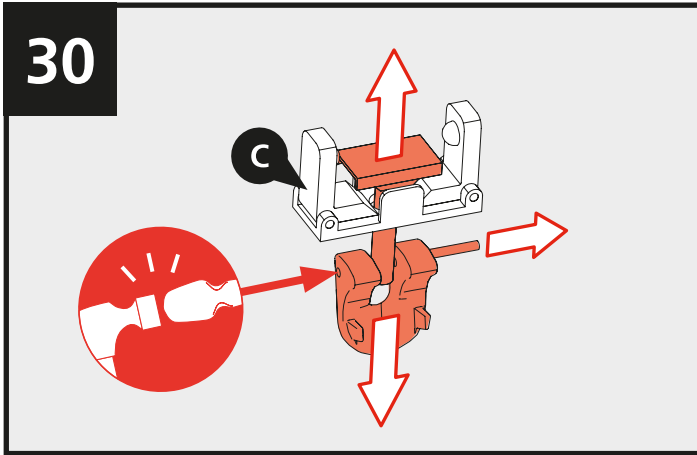


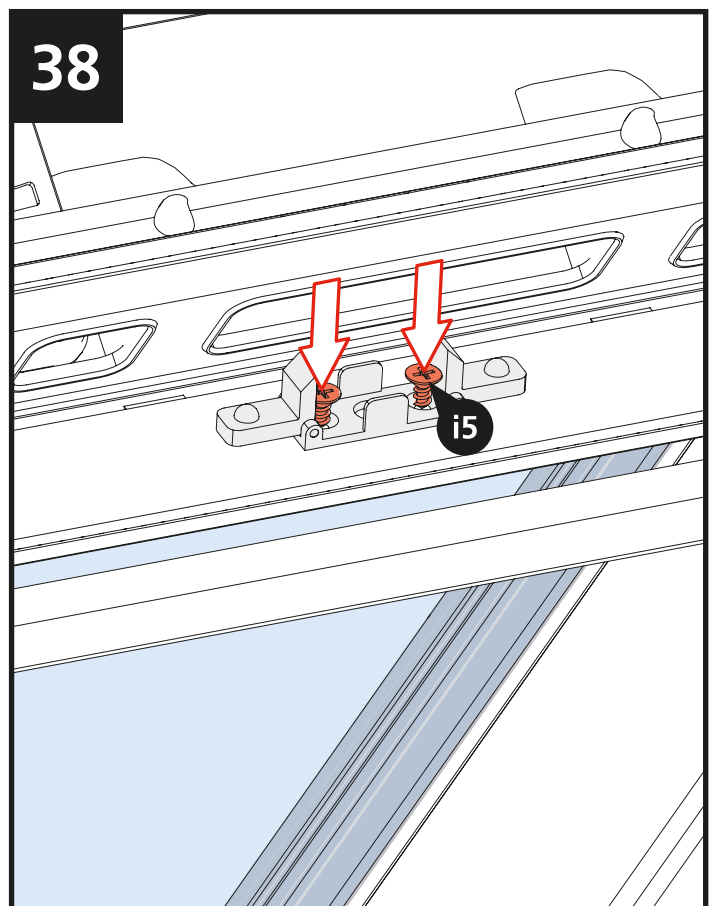
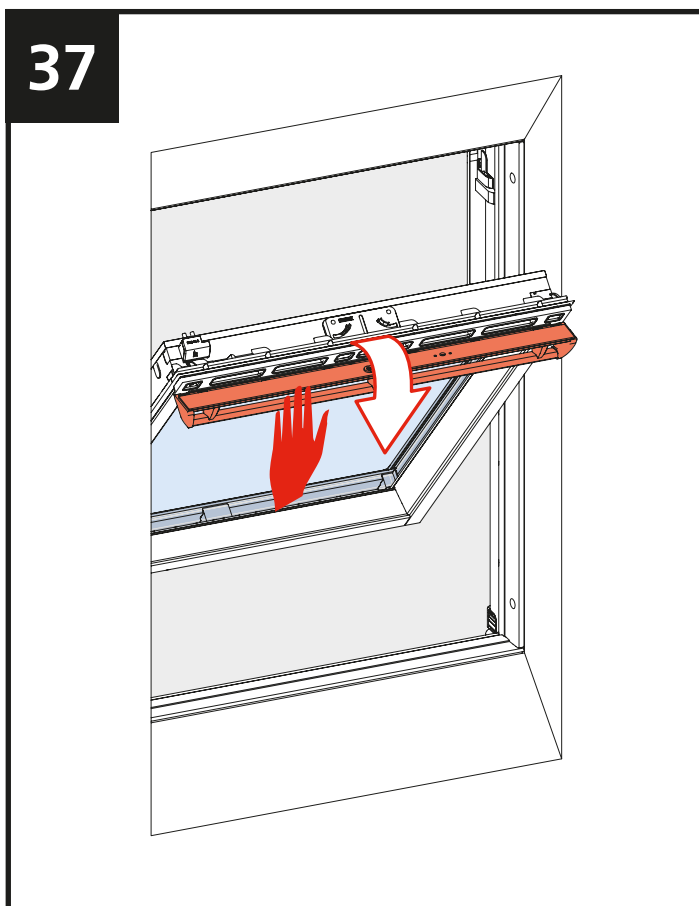
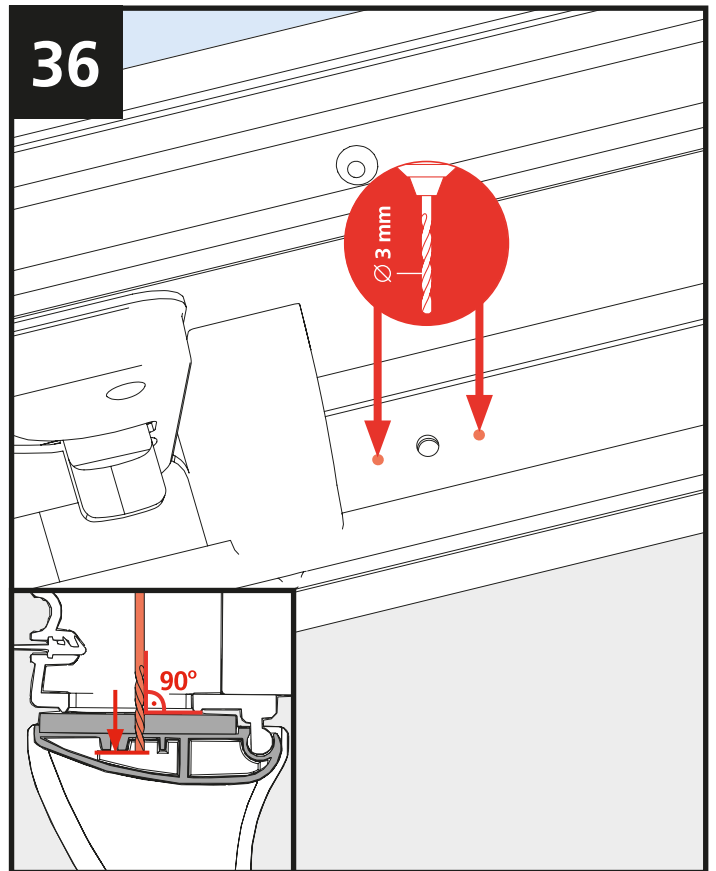
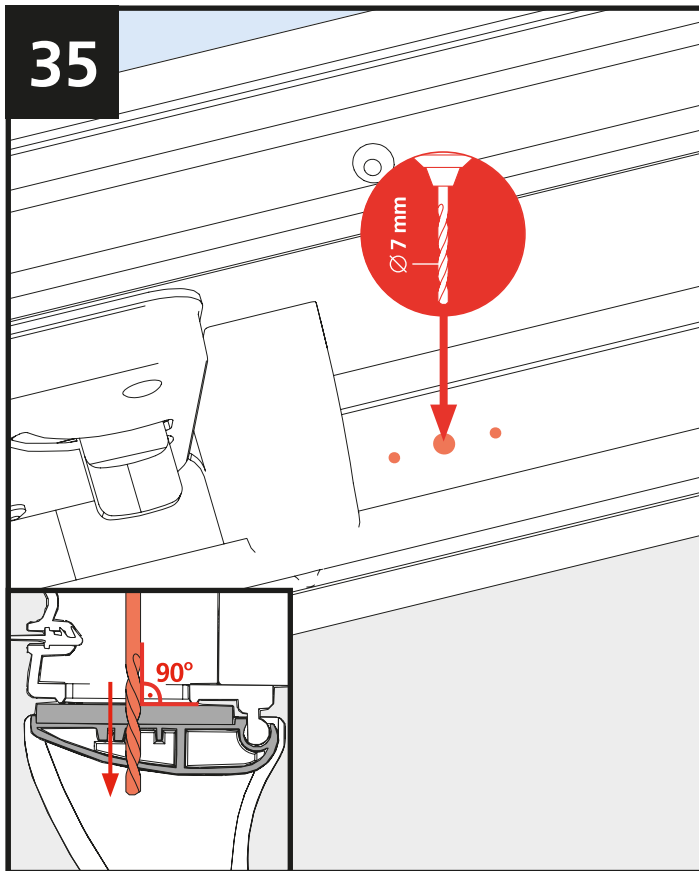
24

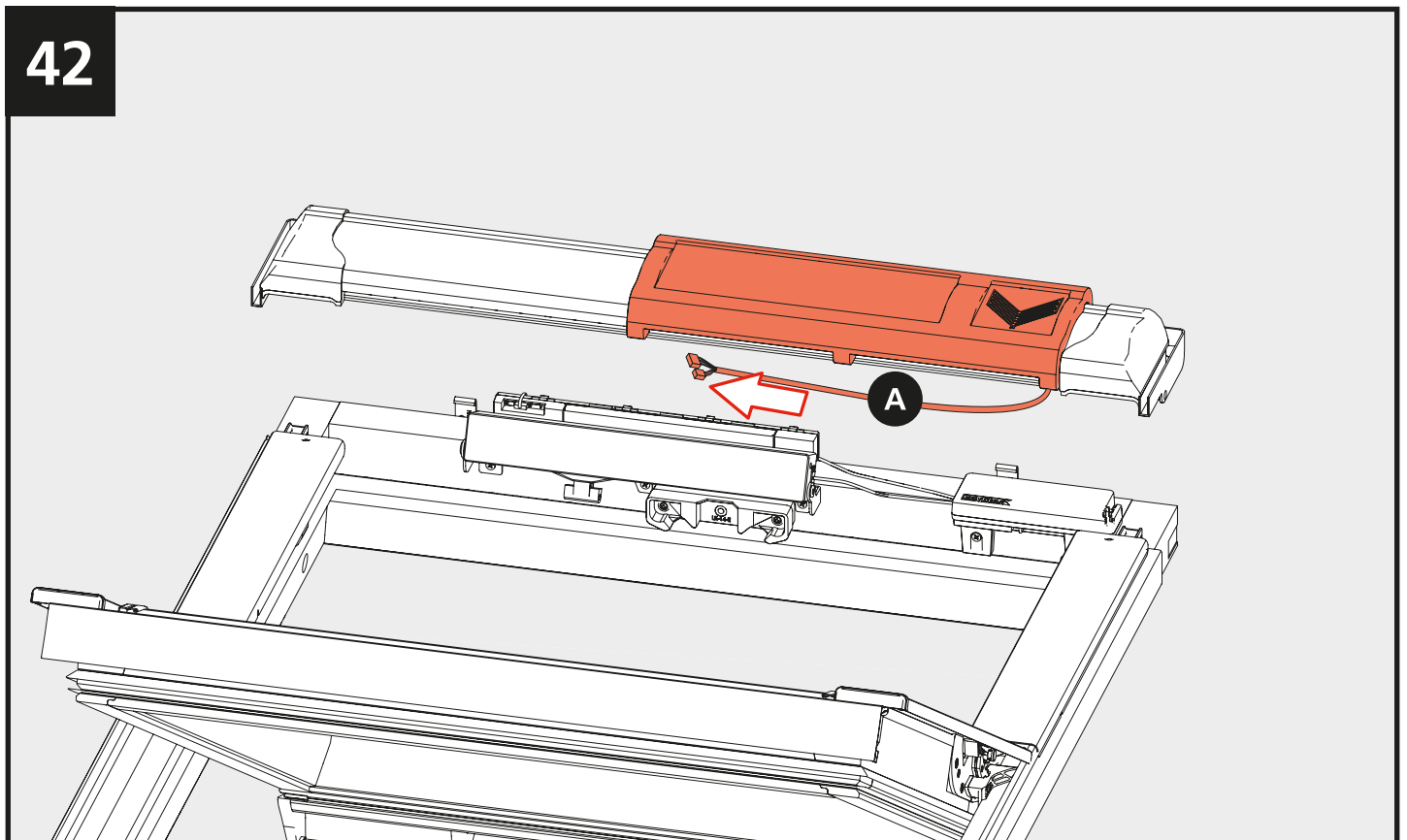
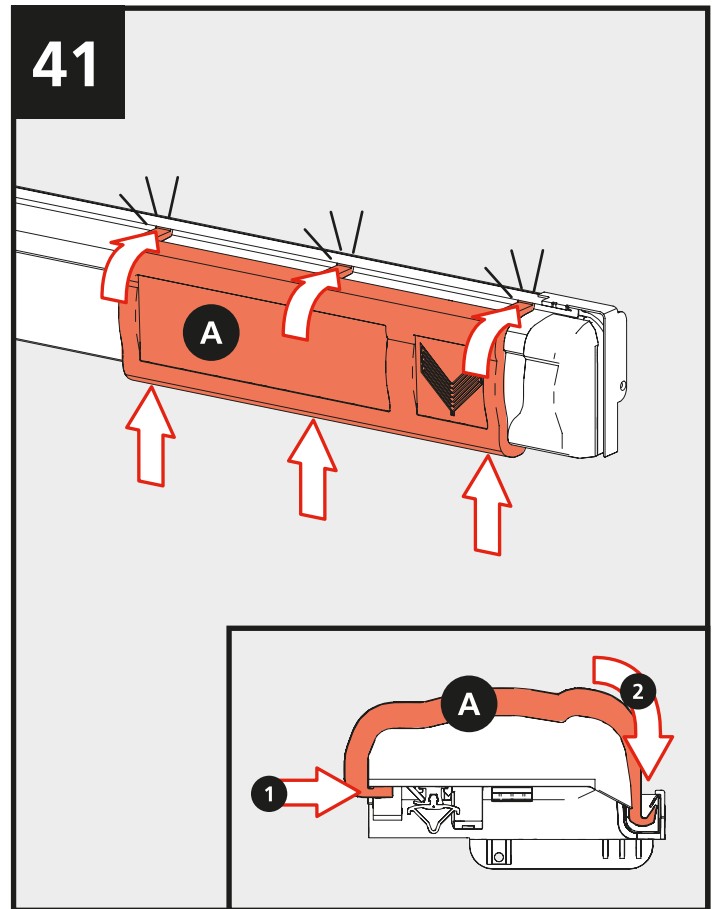
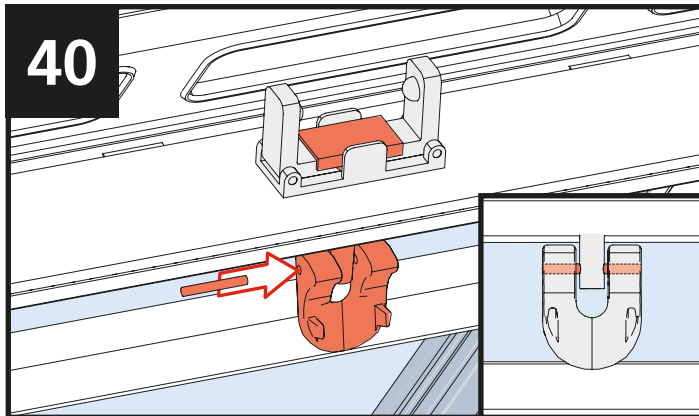
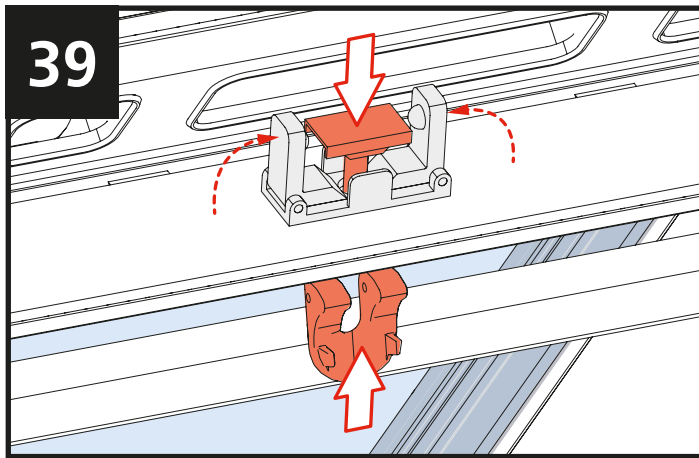


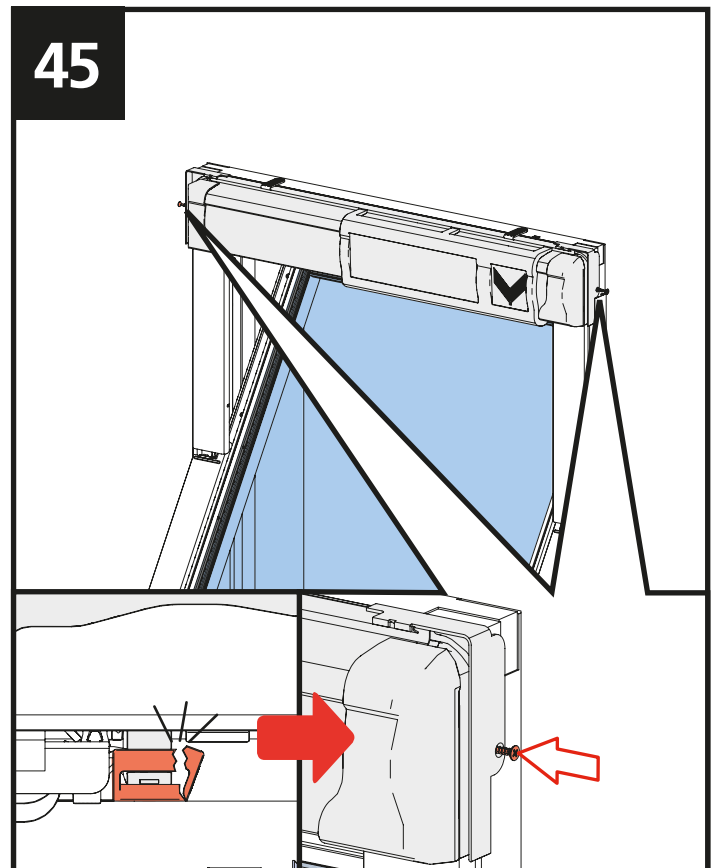
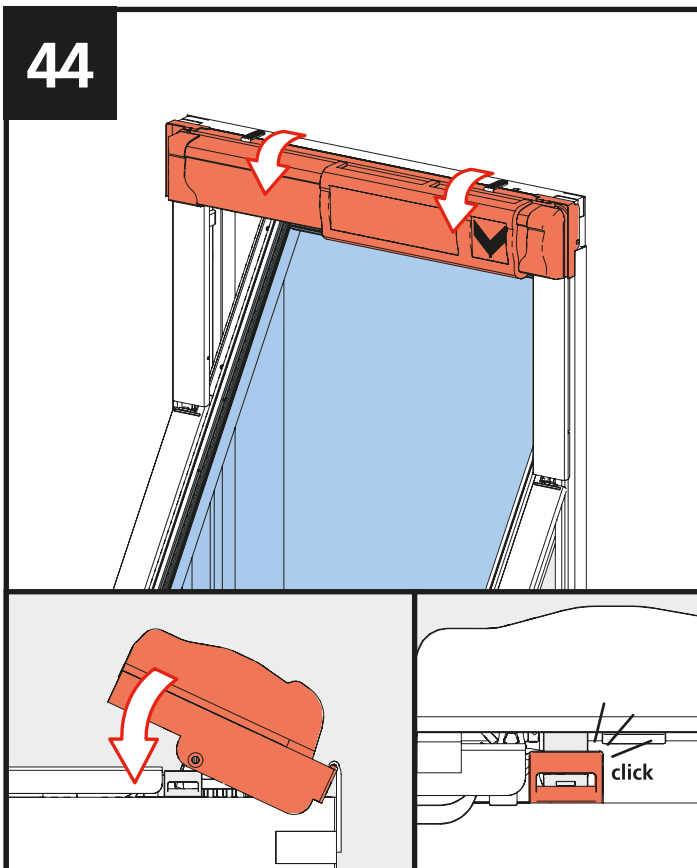
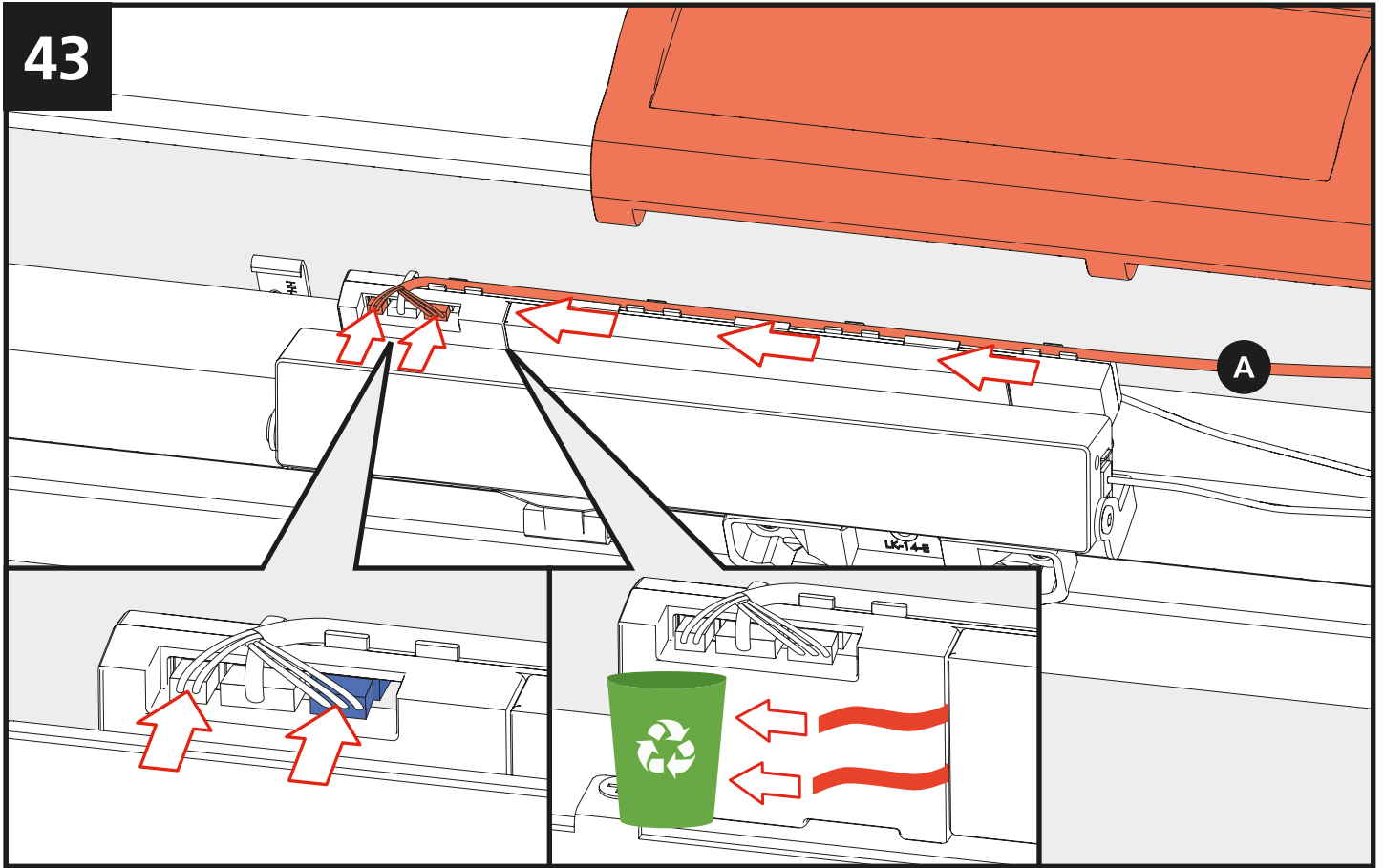












i

Open **Window** → [Left Arrow] [Right Arrow] ← Open **Blind**

Pause **Window** → [Pause] [Pause] ← Pause **Blind**

Close **Window** → [Left Arrow] [Right Arrow] ← Close **Blind**

Channel Down → [Down Arrow] [Up Arrow] ← Channel Up

[P]

46

KC4-16-A

LED

RC

30s

47

2

1,2,3...

[P]

48

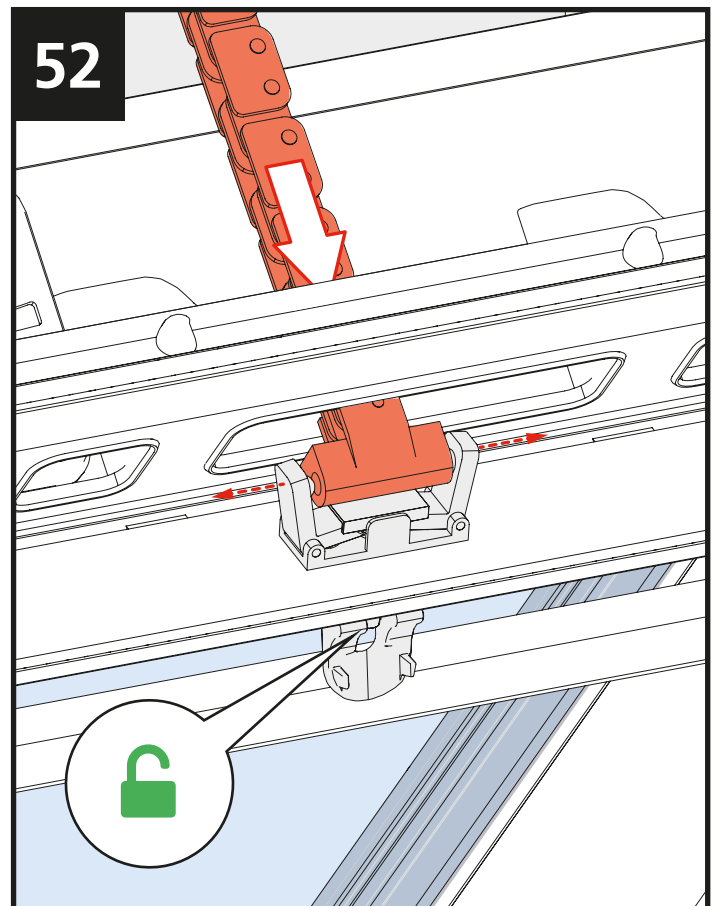
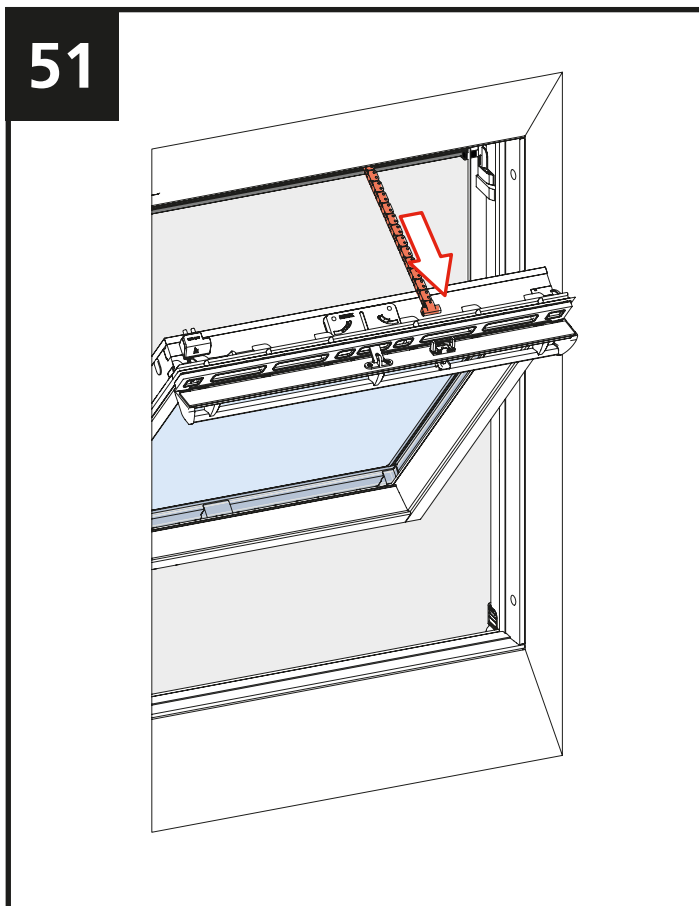
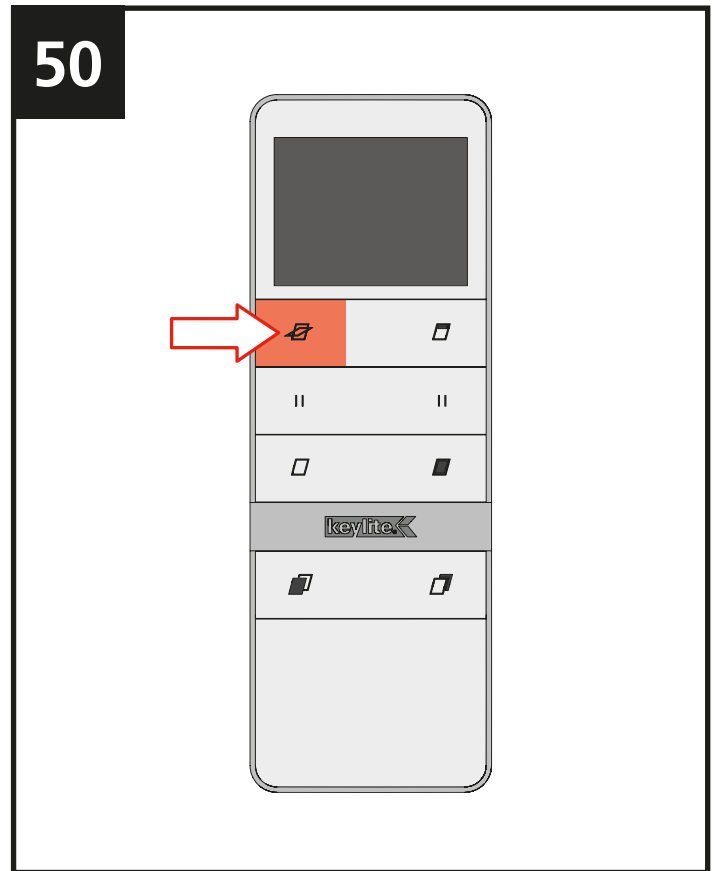
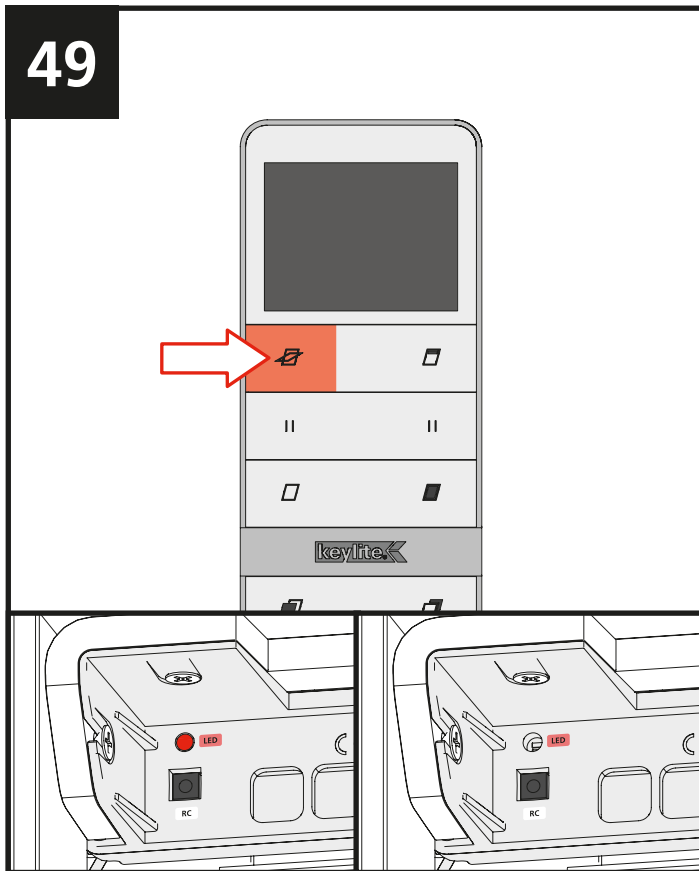
KC4-16-A

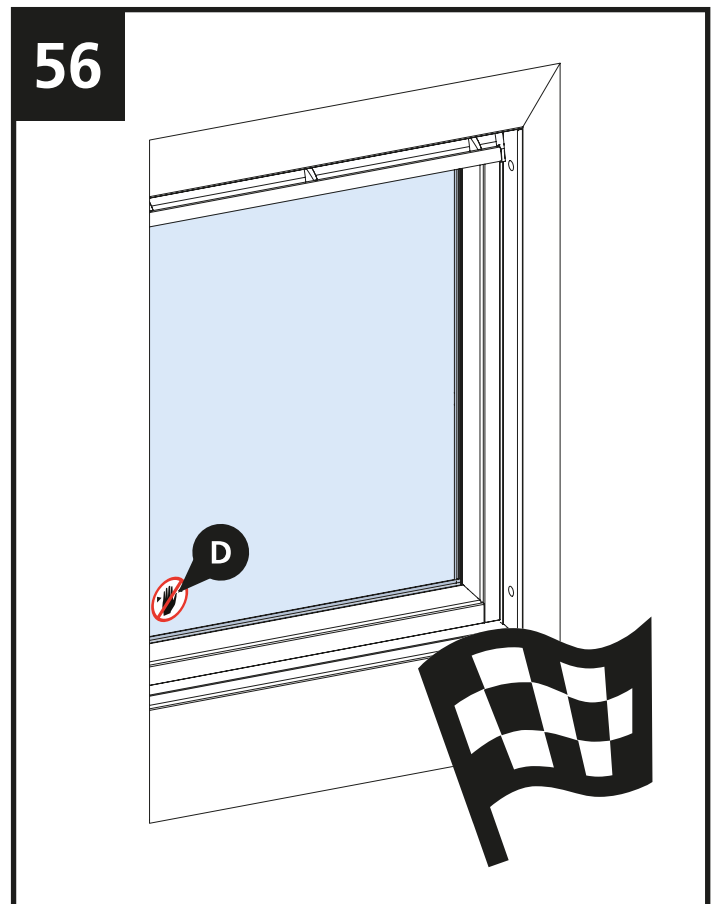
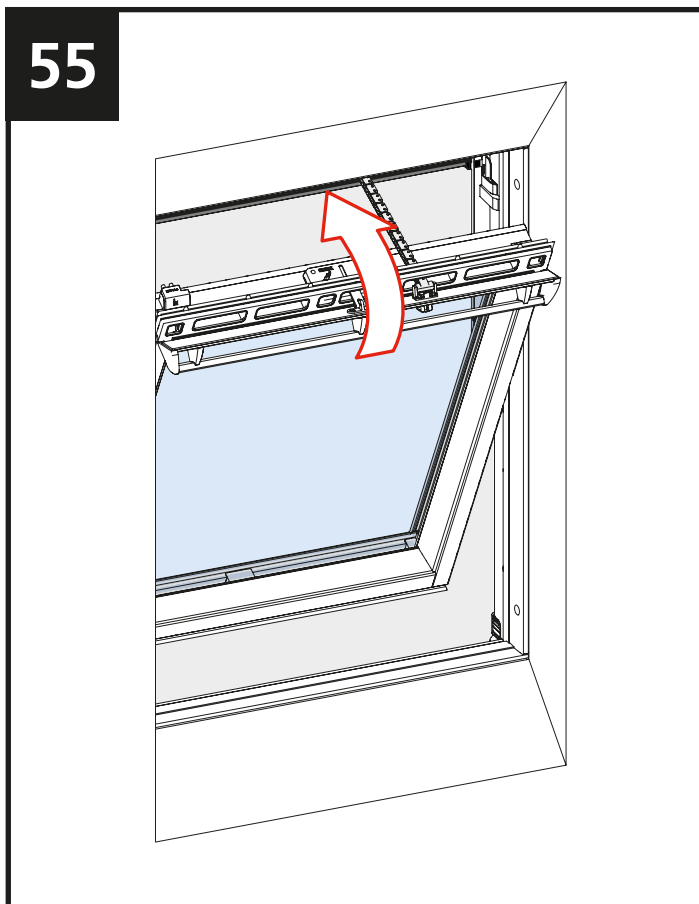
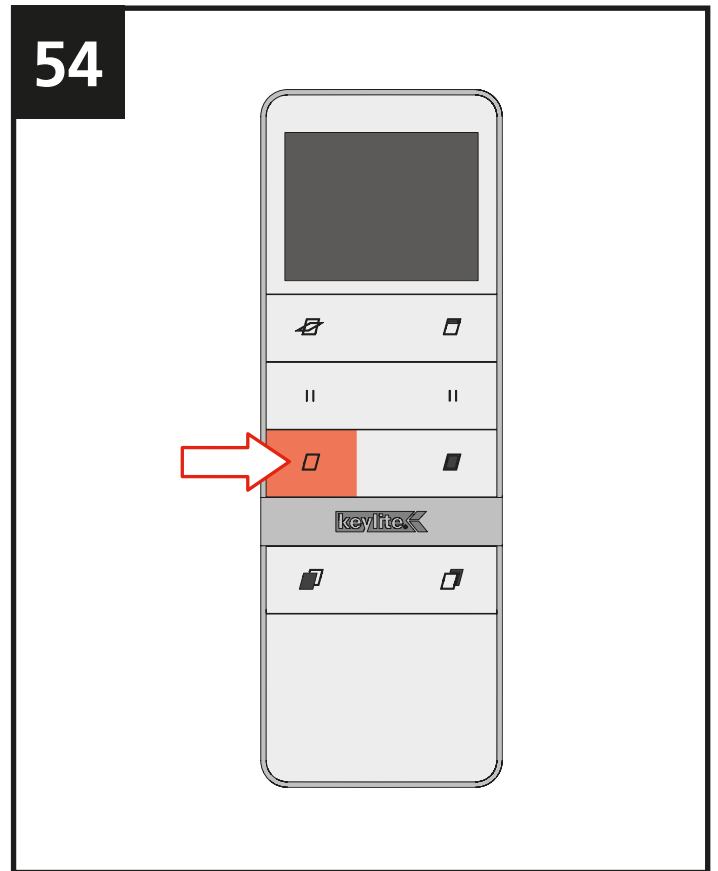
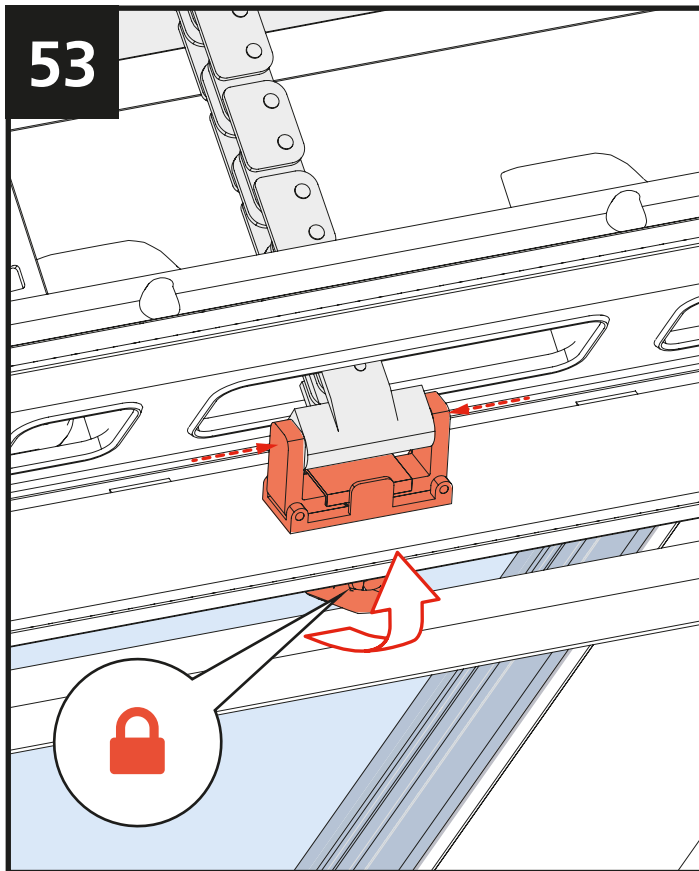
LED

RC

5s

5s







TROUBLESHOOTING AND GENERAL INFORMATION

Chain will not extend from window motor.

1. Check power supply:
 - If blue LED is not illuminated please try a different socket.
 - Make sure all leads from power-pack to ECU are connected correctly.
2. Check ECU2 and remote control communications. If LED on ECU2 flashes red 3 times when Window Open button is pressed:
 - Make sure remote control is in the correct operational channel. If remote channel has been changed return to channel the window was programmed to.
 - If remote control is in correct channel and LED still flashes when Window Open button is pressed ECU2 has not been programmed correctly. Please start programming process again.
3. If LED on ECU2 is solid green rain sensor is in operation. Please disconnect rain sensor and try extending chain.
4. For any further assistance please contact Keylite customer service team on **028 867 58921**.



REPROGRAMMING

1. Hold RC button for **15 seconds**. After **5 seconds** the red LED will illuminate. After a further **10 seconds** the red LED will flash.
2. Now release RC button. You can now reprogram.

CHANNELS

One remote control can operate multiple windows. For example:

1. Window A could be programmed to channel 1.
2. Window B could be programmed to channel 2.
3. Windows A and B could be programmed to channel 3.

LED Sequence	Meaning
● Solid Green	- Rain sensor is in operation
⦿ Flashing Green	- Occurs when ECU2 is initially powered for 30 seconds
● Solid Red	- Occurs when syncing ECU2 to remote. Will illuminate for 5 seconds. - Occurs when reprogramming. Will illuminate after 5 seconds of holding RC button when reprogramming.
⦿ Flashing Red	- Occurs when reprogramming. Will start flashing after 15 seconds of holding RC button when reprogramming.
⊗ 3 Red Flashes	- Remote control is not in correct operational channel. - ECU2 is not programmed correctly.



www.keyliteroofwindows.com