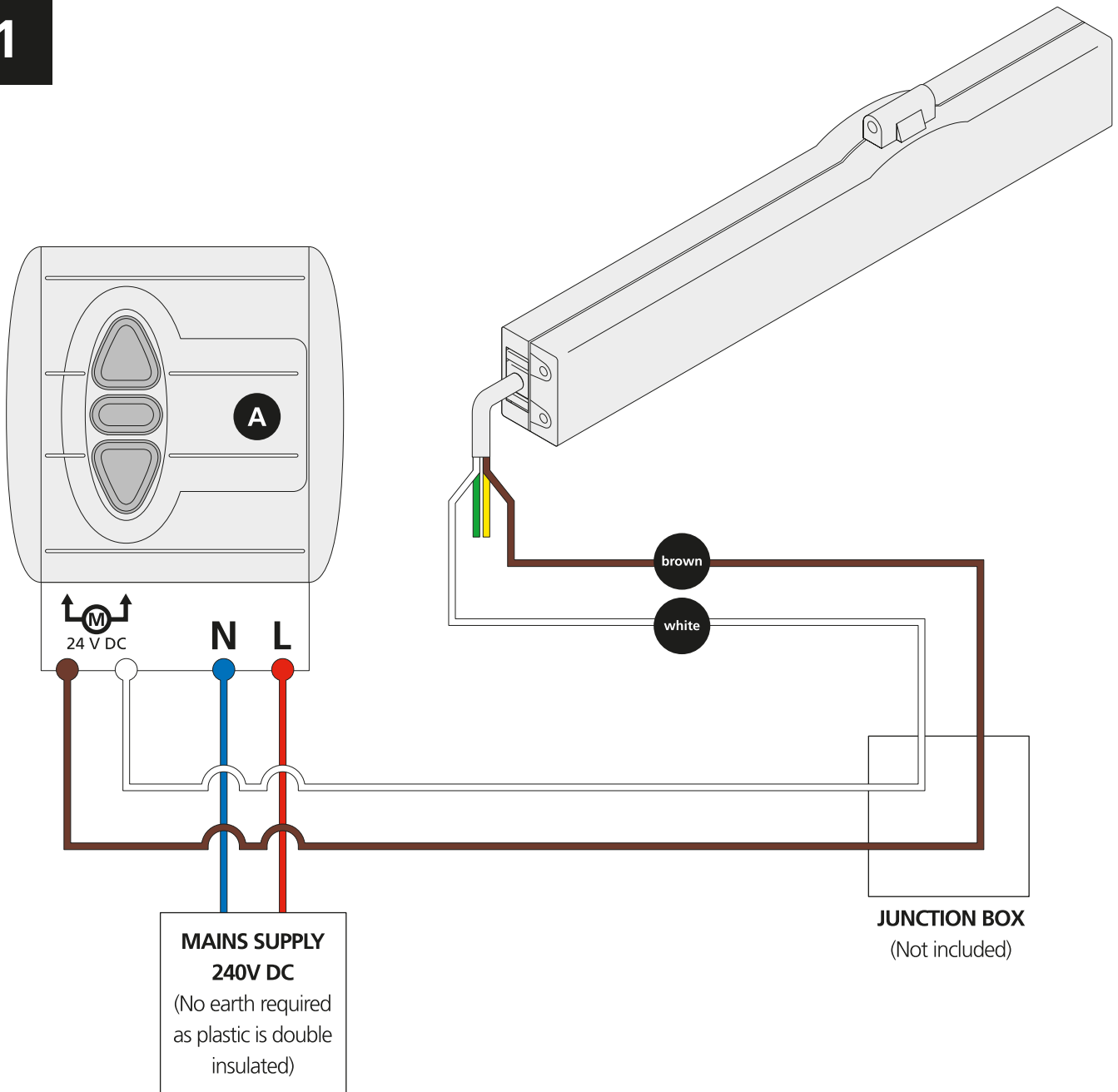


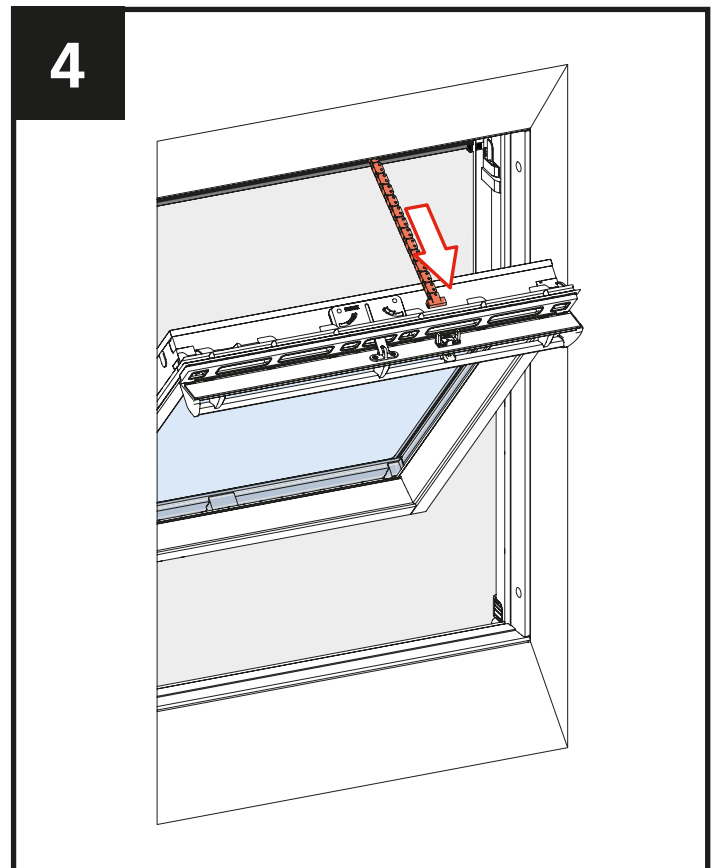
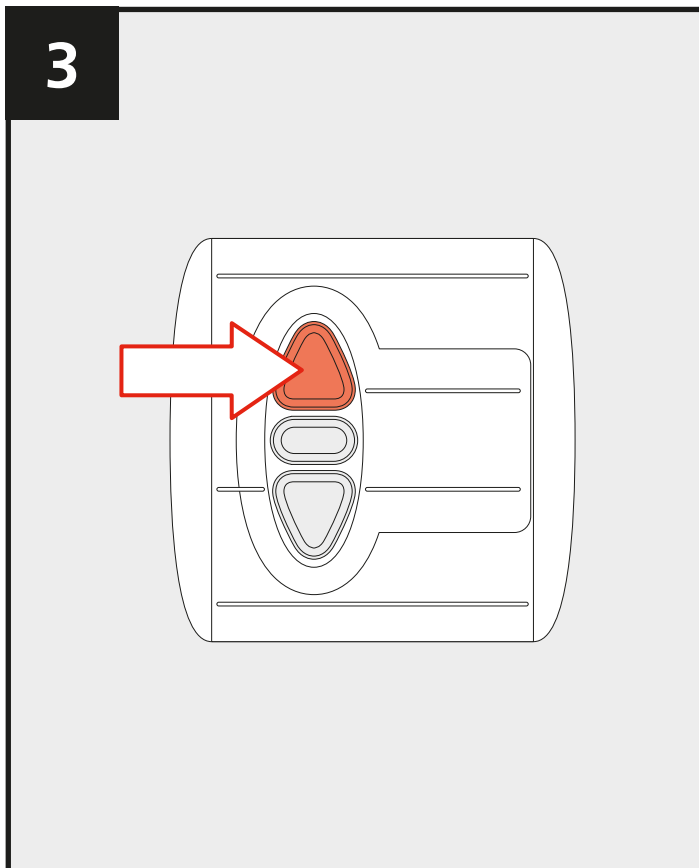
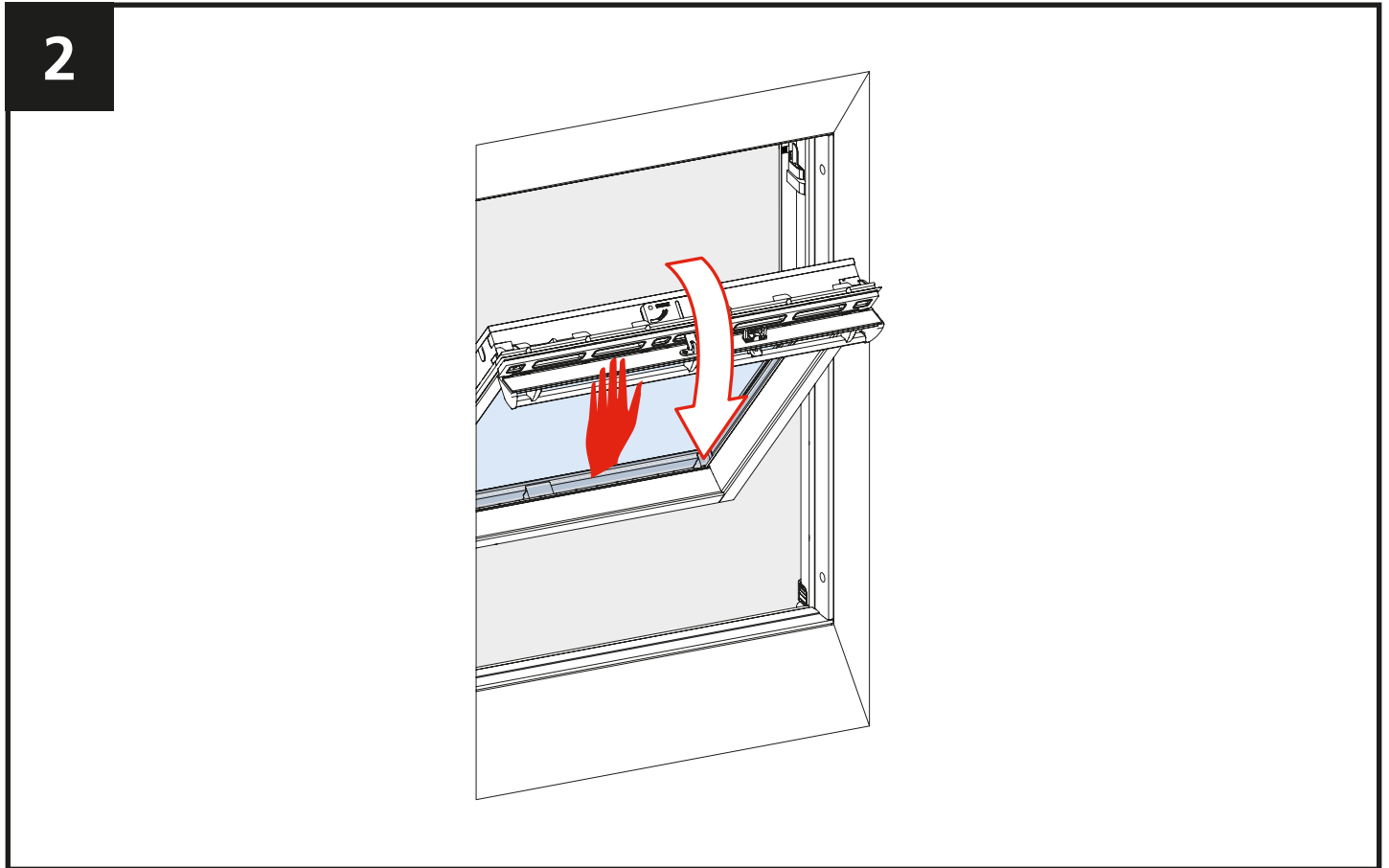


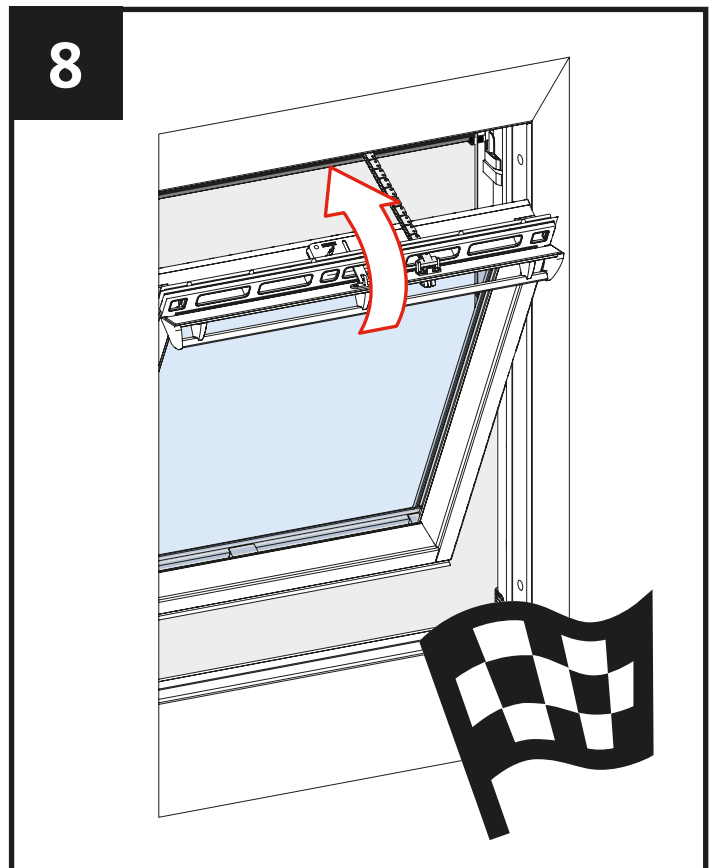
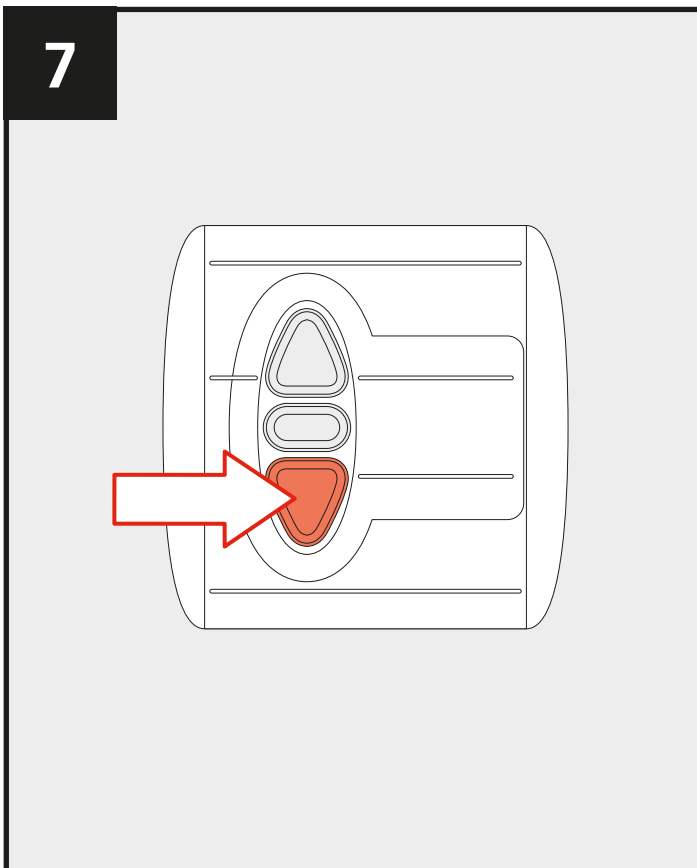
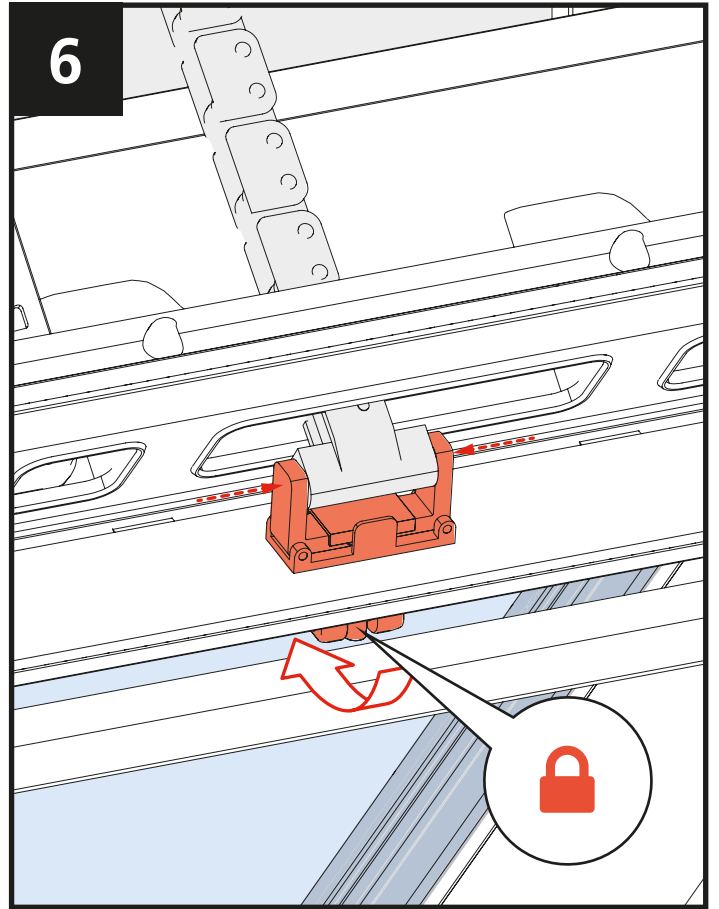
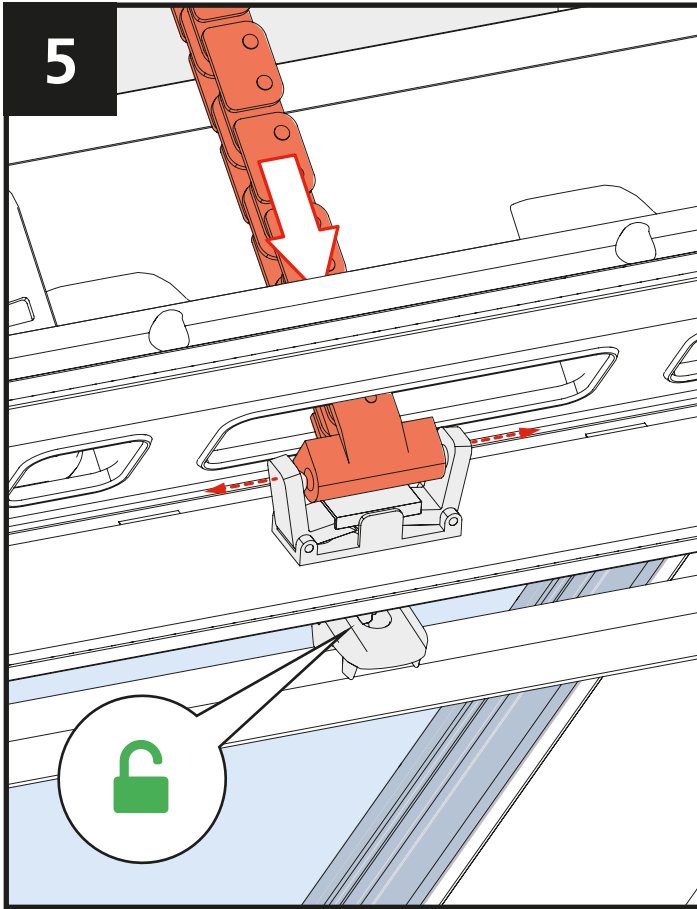
IMPORTANT INFORMATION

- 24 V DC **do not** connect to mains supply.
- When extending motor cable to wall switch (**A**), only extend the white and brown cores.
- **The installation of this system must be carried out by a qualified electrician the guarantee will be voided if this is not followed.**

1







i

